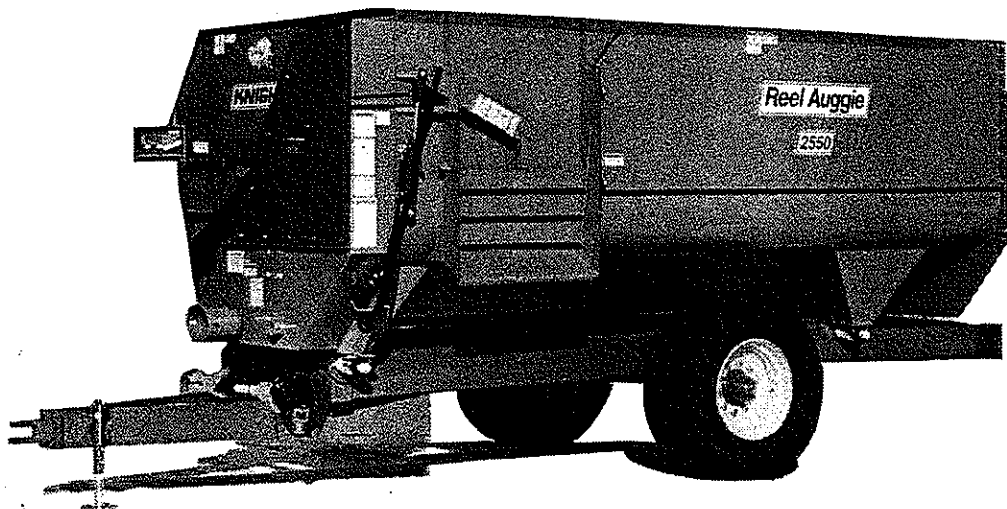


## Reel Auggie 2550 Tow Type

### DEALER SERVICE PARTS LISTING



#### TABLE OF CONTENTS

Using This Listing.....	1
Front End Parts.....	2-5
Rear End Parts.....	6-7
Reel & Auger Parts .....	8-9
Door Parts.....	10
Slide Tray.....	11
Power Chute.....	12-13
Selector Valve - Slide Tray.....	14
Diverter Valve - Power Chute.....	15
Eaton Scale Parts.....	16-17
J-Star Scale Parts.....	18-19
Undercarriage.....	20-21
PTO Driveline & Friction Clutch.....	22-23
Hay-Max Kit Parts.....	24-25
Jackstand.....	26
Repair Liner Parts.....	27
Decal & Paint List.....	28
Optional Kits.....	29
Flighting Terms & Dimensions.....	30
Universal Joint Repair.....	31
Hardware Listing.....	32-33

ABBREVIATIONS

RA2550-TOW DR100391

Assy	Assembly
A/R	As Required
B	Bolt
Brg	Bearing
BSN	Before Serial Number
BTM	Bottom
C Bolt	Carriage Bolt
Cttr	Cotter
CV	Constant Velocity (Joint)
Dia	Diameter
ea	Each
Eq or Equiv	Equivalent
FLN	Flanged Lock Nut
FW	Flat Washer
Ga	Gauge
Gr or Grd	Grade
Hd	Head
Hyd	Hydraulic
ID	Inside Diameter
Ill or Illus	Illustration
Ind	Indicator
KW	Keyway
LH	Left Hand
LW	Lock Washer
Mtg Hrd	Mounting Hardware
NC	National Coarse
NF	National Fine
OD	Outside Diameter
Pc(s)	Piece(s)
PD	Pitch Diameter
PTO	Power Takeoff (Shaft)
Q or Qty	Quantity
Reg Mach	Regular Machine
RH	Right hand
SN	Serial Number
Sprkt	Sprocket
Sq	Square
Std	Standard
UASN	Used After Serial Number
UBSN	Used Before Serial Number

USING THIS SERVICE PARTS LISTING

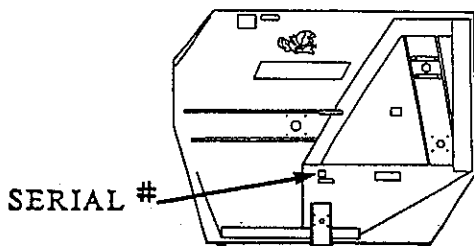
RA2550-TOW DR100391

This listing uses a number indentation system to specify the parts of an assembly. Any number which is indented to the right, indicates that it is a component of the item to the upper left. Example:

<u>Part no</u>	<u>Description</u>	<u>Qty</u>
uuu-uuu	Assembly A	2
vvv-vvv	Sub-Assembly B (Component of A)	3
www-www	Component of B	5
xxx-xxx	Another Component of B	1
yyy-yyy	Sub-Assembly C (Component of A)	1
etc.		

Using this system, the sub-assemblies and their components are included if an Assembly is ordered. Similarly, the components of a sub-assembly are included if a sub-assembly is ordered.

The quantity (qty) associated with an assembly, represents the number of times an assembly could be shown in the drawing. The sub-assembly quantity however, is the number of times a sub-assembly is used to build one assembly. Similarly, the component quantity refers to the number of times a given component is found in one sub-assembly.



Serial Number Location  
Front View  
Figure A

MODEL AND SERIAL NUMBER INFORMATION is located below the drive shielding (Fig. A). The model number, serial number and part number should be known when asking service personnel for parts.

If you cannot find the part you need, be as descriptive as possible when placing an order:

**Sprockets:** give the bore size, number of teeth, and number and size of keyways.

**Roller chain:** give the size of chain (stamped on the side of each link) and number of links.

**Shafting:** give the diameter, length, and number and size of keyways.

Hardware is generally not included with parts. If you need any hardware, check the size, the length, and the grade (Fig. B), then check the hardware list in this manual for the part numbers. All hex head bolts up to and including 7/16" diameter are grade 5, and nuts are grade B unless otherwise stated.

The hardware listing also includes listings for zerks, cotter pins, set screws, and roller chain links.

The illustrations in this manual are meant to be used only as a guide for identifying parts and locating their relative positions.

Bolt Grades

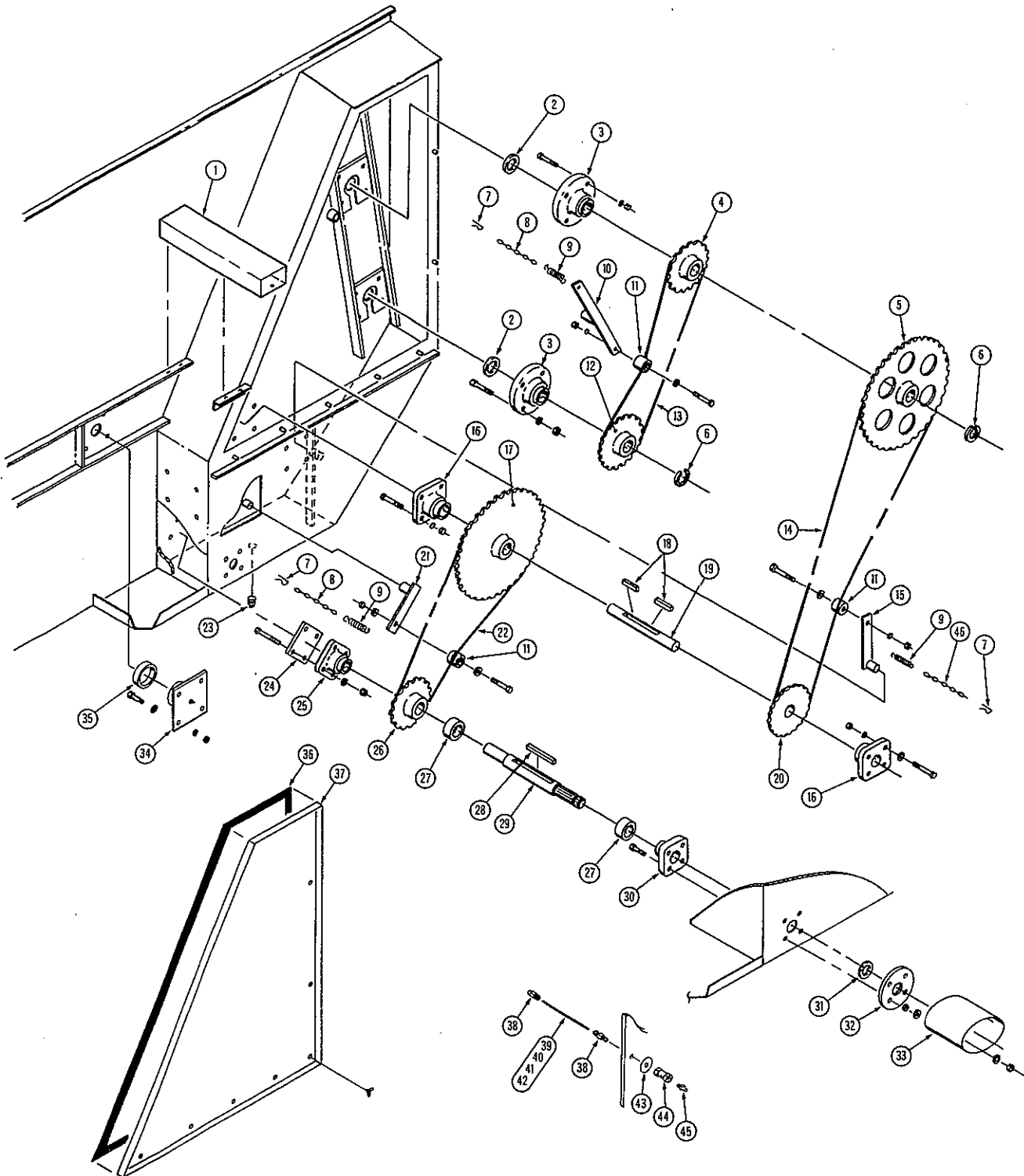


Bolt Head Grade Markings  
Figure B

A \* following a part number (XXX-XXX\*) indicates that the part is no longer used in production for this application. Superscript letters (XXX-XXX<sup>A</sup>) refer to footnotes and/or illustration boxes.

FRONT END PARTS

RA2550-TOW DR072392



KNIGHT MANUFACTURING CORP. PO BOX 167 BROADHEAD, WI 53520  
OFFICE: (608) 897-2131 PARTS/SERVICE: (608) 897-2125 FAX: (608) 897-2561

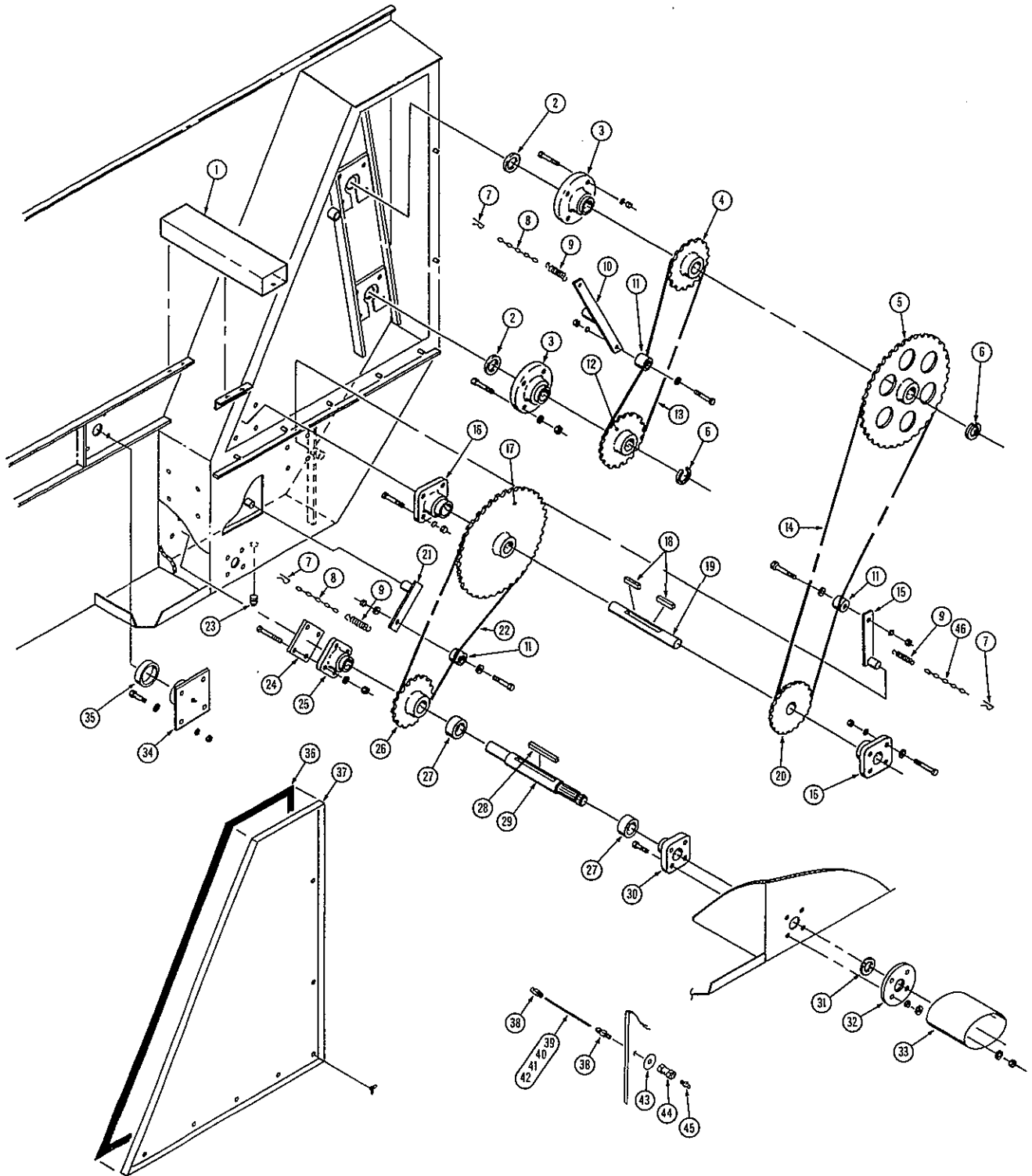
FRONT END PARTS

RA2550-TOW DR072392

REF	PART NO	QTY	DESCRIPTION
1	101-337	1	Hose Tunnel Indicator Extension Mtg Hrd: 3/8" x 1" Bolt, LW & Nut (4 ea)
2	133-899	2	Seal; 3" ID
3	171-930	2	Bearing; 3" Mtg Hrd: 3/4" x 2-1/4" Bolt, LW & Nut (4 ea)
4	134-475	1	Sprocket; 120-B-19, 3" Spline
5	134-474	1	Sprocket; 100-C-53, 3" Spline
6	171-934	2	Snap Ring; 3"
7	170-800	3	Clinch Pin
8	171-592	2	Chain; #4 x 46 Links
9	172-005	3	Spring; 6" lg.
10	101-818	1	Tightener Arm
11	134-155	3	Tightener Block Mtg Hrd: 1/2" x 2-3/4" Bolt, LW & Nut (1 ea)
12	134-476	1	Sprocket; 120-B-25, 3" Spline
13	172-347	1	Roller Chain; 120-1-56 P.
14	172-346	1	Roller Chain; 100-1-102 P.
15	101-947	1	Tightener Arm
16	170-008	2	Bearing; 2" Mtg Hrd: 5/8" x 2" Bolt, LW & Nut (4) Rear 5/8" x 1-3/4" Bolt, FW, LW & Nut (4) Front
17	134-471	1	Sprocket; 80-B-63, 2" Bore, 1/2" KW
18	170-898	2	Key; Square, 1/2" x 2-1/2"
19	134-569	1	Counter Shaft
20	134-473	1	Sprocket; 100-B-20, 2" Bore, 1/2" KW
21	101-948	1	Tightener Arm
22	171-467	1	Roller Chain; 80-1-87 Pitch, W/C Link (540 RPM)
22	171-801	1	Roller Chain; 80-1-84 Pitch, W/C Link (1000 RPM)
23	171-919	1	Drain Plug; 1-1/4" PVC
24	134-570	1	Bearing Spacer
25	171-585	1	Bearing; 1-3/8" 4-Bolt, Eccentric Lock Flange Mtg Hrd: 1/2" x 2" Bolt, FW, LW & Nut (3)
26	134-470	1	Sprocket; 80-B-20, 1-1/2" Bore, 3/8" KW (540 RPM)
26	134-469	1	Sprocket; 80-B-11, 1-1/2" Bore, 3/8" KW (1000 RPM)
27	172-287	2	Lock Collar
28	171-409	1	Key; Square, 3/8" - 1-1/4"
29	134-568	1	Shaft; Front Counter
30	172-288	1	Bearing; 1-1/2", Eccentric Lock Mtg Hrd: 1/2" x 2-1/4" Bolt, FW(8), Nut(4), LN(4)

FRONT END PARTS

RA2550-TOW DR072392



KNIGHT MANUFACTURING CORP. PO BOX 167 BRODHEAD, WI 53520  
OFFICE: (608) 897-2131 PARTS/SERVICE: (608) 897-2125 FAX: (608) 897-2561

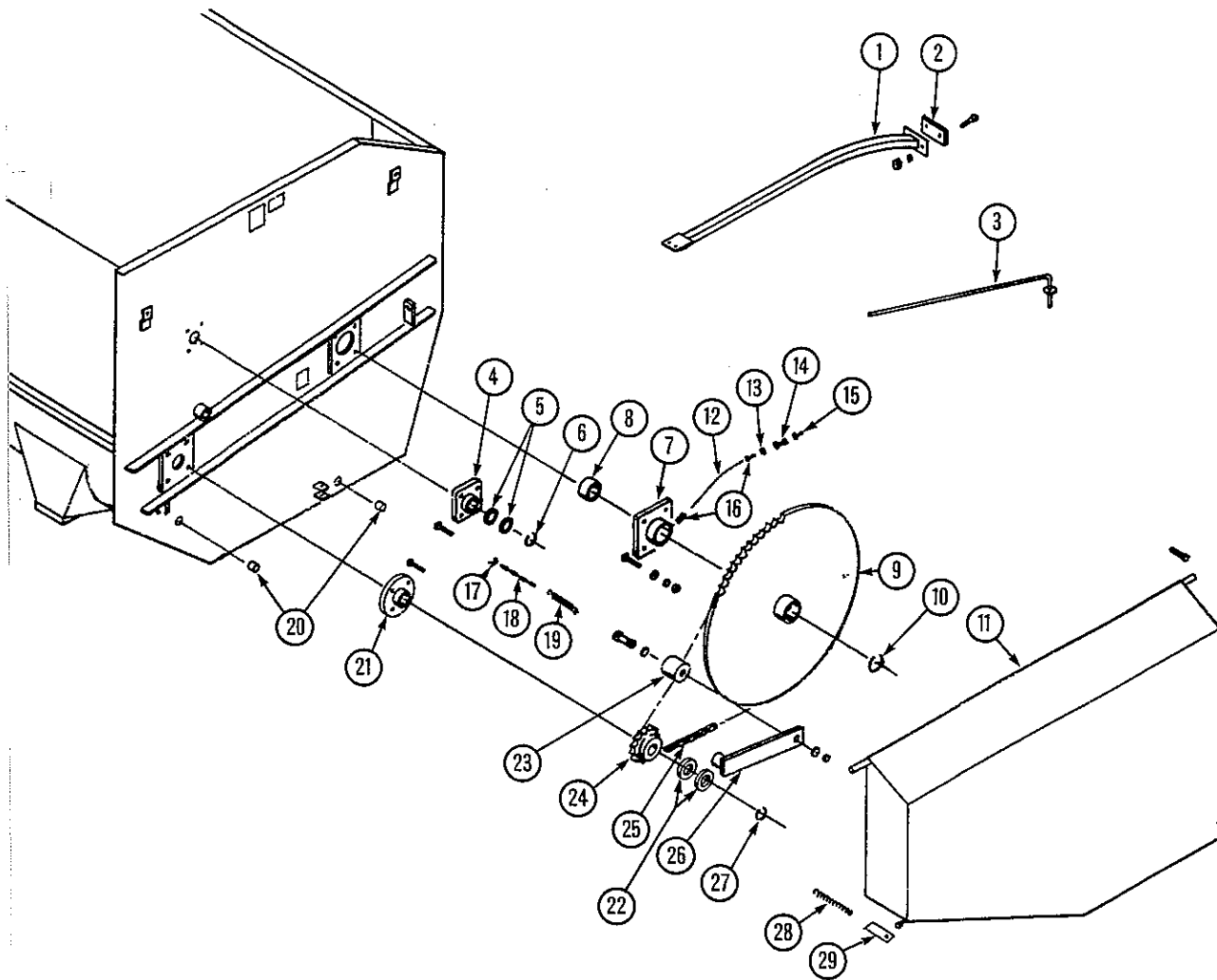
FRONT END PARTS

RA2550-TOW DR072392

REF	PART NO	QTY	DESCRIPTION
31	172-355	1	Seal
32	134-490	1	Plate; Retainer
33	171-972	1	Shield; PTO Input
34	101-940	1	Bearing Housing Ass'y Mtg Hrd; 5/8" x 1-3/4" Bolt, FW, LW & Nut (4 ea)
35	172-291	1	Front Reel Bearing
36	171-935	15'	Gasket; Front Shield
37	134-117	1	Front Shield Mtg Hrd: 171-929 Wing Nut & FW (12)
38	171-299	16	Compression Fitting; 1/8" NPT, Male
39	172-026	2	Nylon Tube; 10" Long
40	172-390	1	Nylon Tube; 37" Long
41	172-045	1	Nylon Tube; 12" Long
42	172-375	2	Nylon Tube; 19" Long
43	170-244	8	3/8" Flat Washer
44	172-024	8	Pipe Coupling; 1/8" NPT
45	170-865	8	Zerk Fitting; 1/8" NPT
46	170-518	1	Chain: #4 x 30 Links

REAR END PARTS

RA2550-TOW DR060492



KNIGHT MANUFACTURING CORP. PO BOX 167 BRODHEAD, WI 53520  
OFFICE: (608) 897-2131 PARTS/SERVICE: (608) 897-2125 FAX: (608) 897-2561

REAR END PARTS

RA2550-TOW DR030993

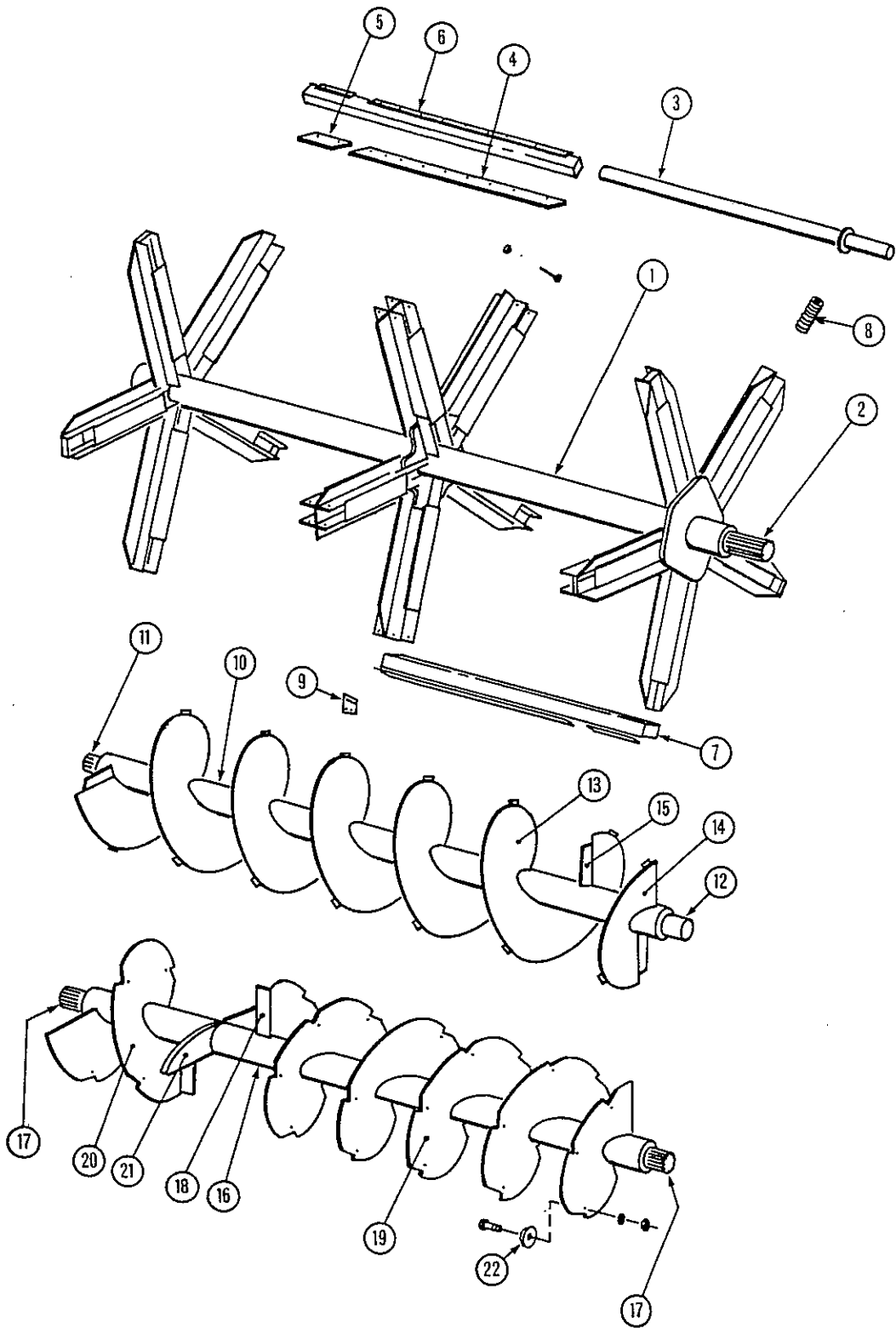
REF	PART NO	QTY	DESCRIPTION
1	102-008	3	Bucket Guard; 95-3/4" Long
	102-008 <sup>A</sup>	3	Bucket Guard; 89-3/4" Long Mtg Hrd: 3/8" x 1-1/4" Bolt, LW & Nut (3 ea)
2	134-012	3	Crossbar Mount
3	101-787	1	Prop Rod Assembly
4	170-008	1	Bearing; 2" Mtg Hrd: 5/8" x 1-3/4" Bolt, LW & Nut (4 ea)
5	171-048	A/R	Machine Bushing; 2" ID x 3" OD x .062" Thick
5	171-049	A/R	Machine Bushing; 2" ID x 3" OD x .127" Thick
6	170-142	1	Retaining Ring; 2" External
7	101-939	1	Reel Bearing Assy; Mtg Hrd: 5/8" x 1-3/4 Bolt, FW, LW & Nut (8 ea)
8	172-290	1	Bearing
9	134-447	1	Sprocket; 140-B-82, 5" Spline
10	172-289	1	Snap Ring; 5" External
11	101-786	1	Rear Shield Assembly Mtg Hrd: 3/8" x 1" Bolt, LW & Nut (2 ea)
12	171-302	1	Nylon Tube; 26-1/2" Long
13	170-244	1	Washer; 3/8"
14	172-024	1	Fitting; 1/8" NPT
15	170-865	1	Fitting; Zerk, 1/8" NPT Straight
16	171-299	2	Compression Fitting
17	170-800	1	Clinch Pin
18	170-845	1	Machine Chain; #4 x 17 Link
19	172-005	1	Spring; 6" Long
20	171-919	2	Drain Plug; 1-1/4" PVC
21	171-930	1	Bearing; 3" Mtg Hrd: 3/4" x 2-1/4" Bolt, LW & Nut
22	172-367	A/R	Washer - Machine Bushing; 14GA x 4-1/4" x 3"
22	172-368	A/R	Washer - Machine Bushing; 10GA x 4-1/4" x 3"
23	134-155	1	Tightener Block Mtg Hrd: 1/2" x 2-3/4" Bolt, FW, LW & Nut
24	134-446	1	Sprocket; 140-B-11, 3" Spline
25	172-348	1	Roller Chain; 140-1-104 P.
26	101-947	1	Chain Tightener Arm
27	171-934	1	Snap Ring; 3"
28	172-005	2	Spring; 6" Long
29	133-552	2	Belt Spring Handle

A: Current mixer design requires a longer bucket guard. On units before serial number 2550-143, use 3 each (101-814) bucket guards.

An asterisk (\*) at the end of a part number (XXX-XXX\*) indicates that the part is no longer used in production for this application. Superscript letters (XXX-XXX<sup>A</sup>) refer to footnotes and/or illustration boxes.

REEL AND AUGER PARTS

RA2550-TOW DR030993



KNIGHT MANUFACTURING CORP. PO BOX 167 BRODHEAD, WI 53520  
OFFICE: (608) 897-2131 PARTS/SERVICE: (608) 897-2125 FAX: (608) 897-2561

REEL AND AUGER PARTS

RA2550-TOW DR030993

REF	PART NO	QTY	DESCRIPTION
1	101-930	1	Reel Weldment
2	101-931	1	Rear Plug Assembly
3	101-936	8	Reel Cross Pipe Mtg Hrd: 3/8" x 4-1/2" Bolt & LN (1 ea)
4	134-560	2	Plastic Wiper Blade; 73-3/8" Long Mtg Hrd: 1/4" x 7/8" Bolt, LW, FW & Nut (15 ea)
5	134-123	2	Plastic Wiper Blade Mtg Hrd: 1/4" x 7/8" Bolt, LW, FW & Nut (2 ea)
6	101-935	1	Front Cross Tube Wiper Assembly Mtg Hrd: 3/8" x 4-1/2" Bolt & LN
7	101-937	1	Rear Cross Tube Wiper Assembly Mtg Hrd: 3/8" x 4-1/2" Bolt & LN
8	171-920	20	Spring; Compression 2-3/8" OD x 16" LG
9	133-835	37	Upper Auger Knife (Quantity May Vary) Mtg Hrd: 1/4" x 1" Bolt, FW & LN
10	102-013	1	Upper Auger Assembly
	101-927 <sup>A</sup>	1	Upper Auger Assembly
11	101-928	1	Front Plug Assembly
12	101-929	1	Rear Plug Assembly
13	134-454 <sup>A</sup>	13	Flight; 3/8" x 5" x 20" x 20" RH
14	134-453	1	Flight; 3/8" x 5" x 20" x 20" x 7-3/4" LH
15	134-757 <sup>B</sup>	4	Flighting Support Bar
16	101-925	1	Lower Auger Assembly
17	101-926	2	Plug Assembly
18	134-547	2	Gusset
19	134-455	8	Flight; 1/2" x 5-3/4" x 20" x 20"
20	134-456	1	Flight; 1/2" x 5-3/4" x 20" x 20"
21	134-491	2	Paddle
22	134-352	23	Lower Auger Knife Mtg Hrd: 3/8" x 1" Bolt, LW & Nut

A: Upper Auger design currently uses 13 ea. (134-454) flights. Before Serial Number 2550-143, 8 ea. (134-454) flights were used.

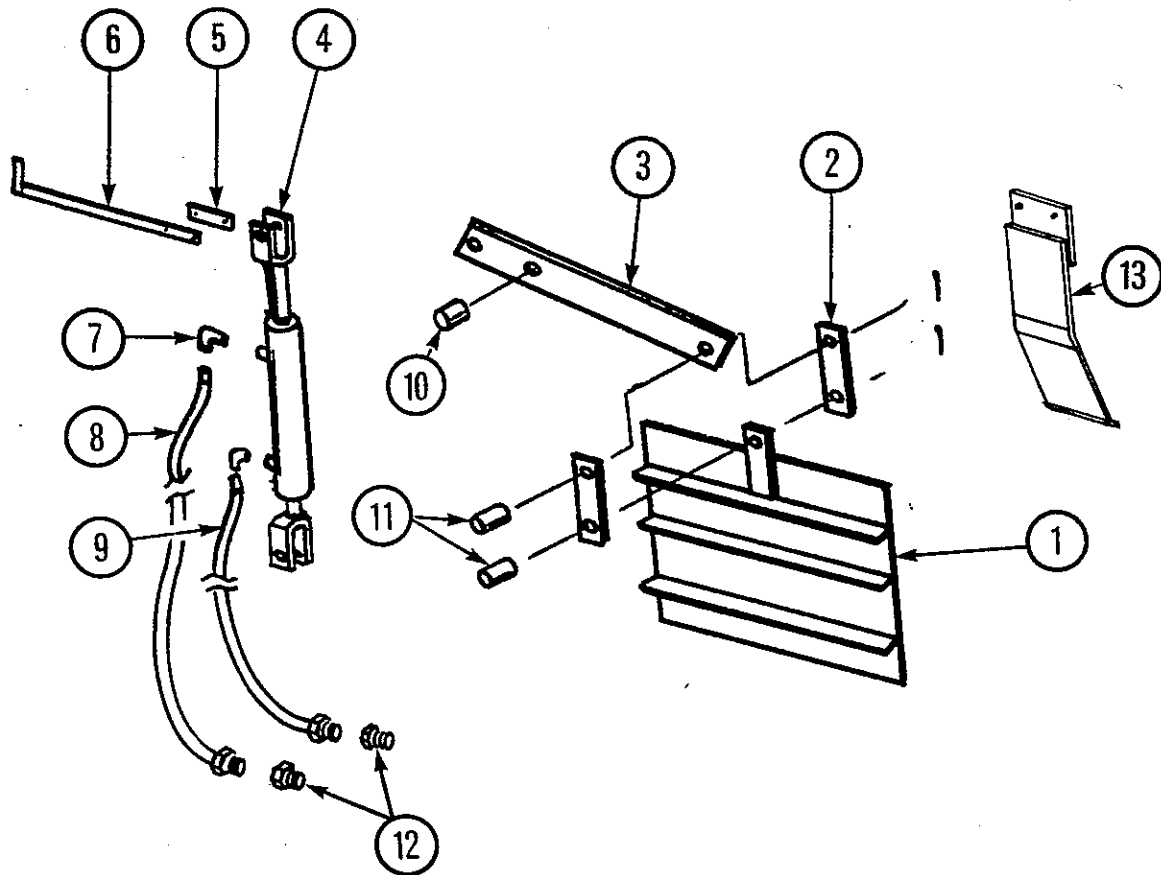
B: Upper Augers used on units before Serial Number 2550-143, used 4 ea. (134-367) flight support brace.

An asterisk (\*) at the end of a part number (XXX-XXX\*) indicates that the part is no longer used in production for this application. Superscript letters (XXX-XXX<sup>A</sup>) refer to footnotes and/or illustration boxes.

DOOR PARTS

RA2550-TOW DR102191

REF	PART NO	QTY	DESCRIPTION
1	101-722	1	Door Assembly
2	133-445	2	Door Linkage Bar; 3/8" x 2" x 8"
3	133-924	1	Door Pivot Bar; 5/8" x 4" x 31"
4	170-941	1	Hyd Cylinder; 2" Dia x 8" Stroke Seal Kit; Order #170-075
5	133-978	1	Door Gauge Mount; 1/8" x 5/8" x 3-1/4"
6	133-977	1	Door Gauge; 1/8" x 5/8" x 18-1/2" Mtg Hrd: 1/4" x 1" Bolt, LW & Nut (2 ea)
7	171-030	2	Swivel Adapter; 3/8" - 90 Degrees
8	170-471	1	Hyd Hose; 1/4" x 170"
9	170-468	1	Hyd Hose; 1/4" x 162"
10	170-073	1	Pin (1" Dia) For Door Pivot Bar (133-924) Secures With 170-074 Hairpin Clip
11	171-696	2	Pin For Door Linkage Bar (133-445) Secures With 170-236 (5/32" x 1-1/2" Ctrr. Pin)
12	170-235	2	Reducer Bushing; 1/2" To 3/8"
13	300-022	A/R	Door Flow Control Plate Kit (Optional, Max Qty 2)

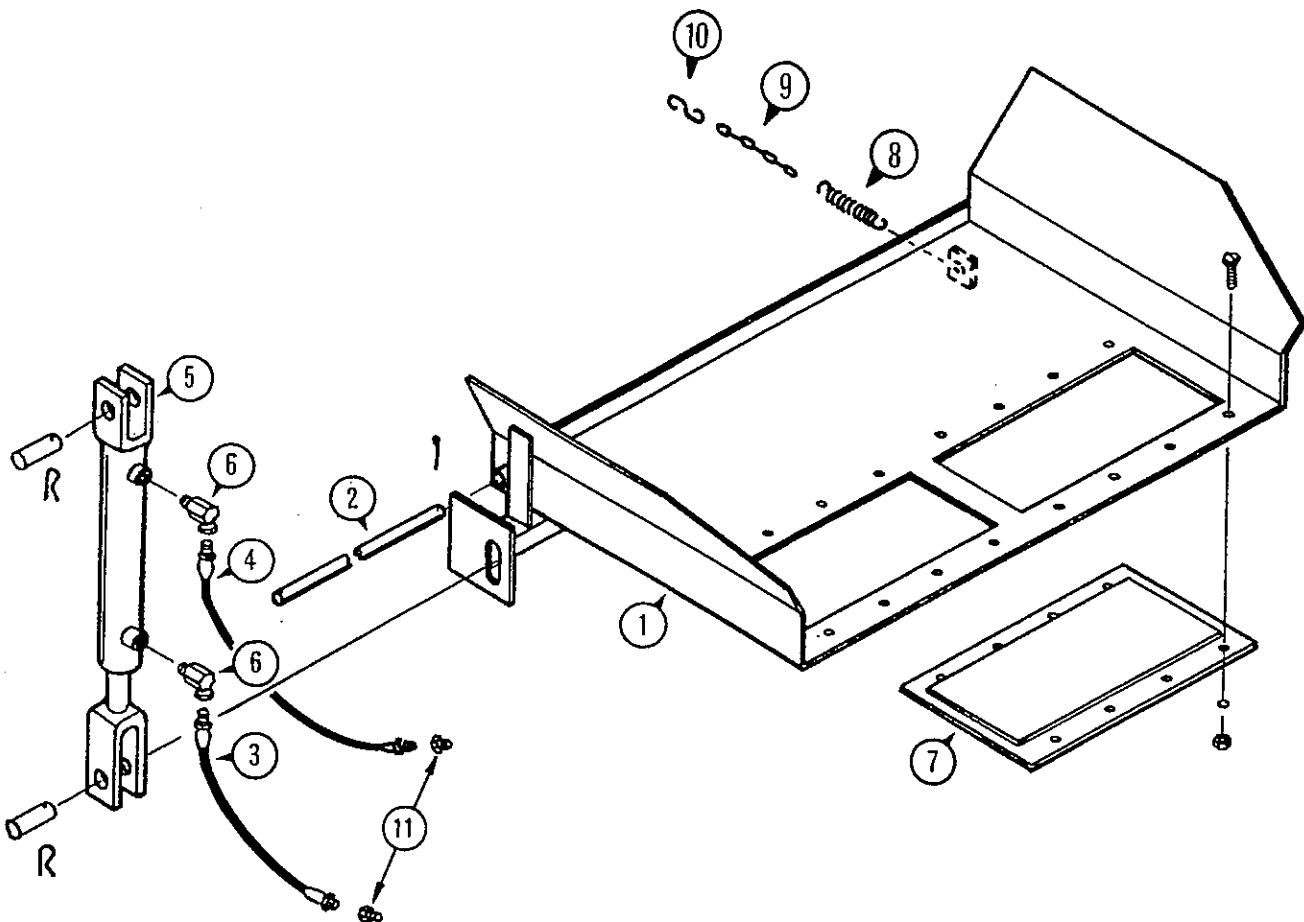


KNIGHT MANUFACTURING CORP. PO BOX 167 BRODHEAD, WI 53520  
 OFFICE: (608) 897-2131 PARTS/SERVICE: (608) 897-2125 FAX: (608) 897-2561

SLIDE TRAY PARTS

RA2550-TOW DR110491

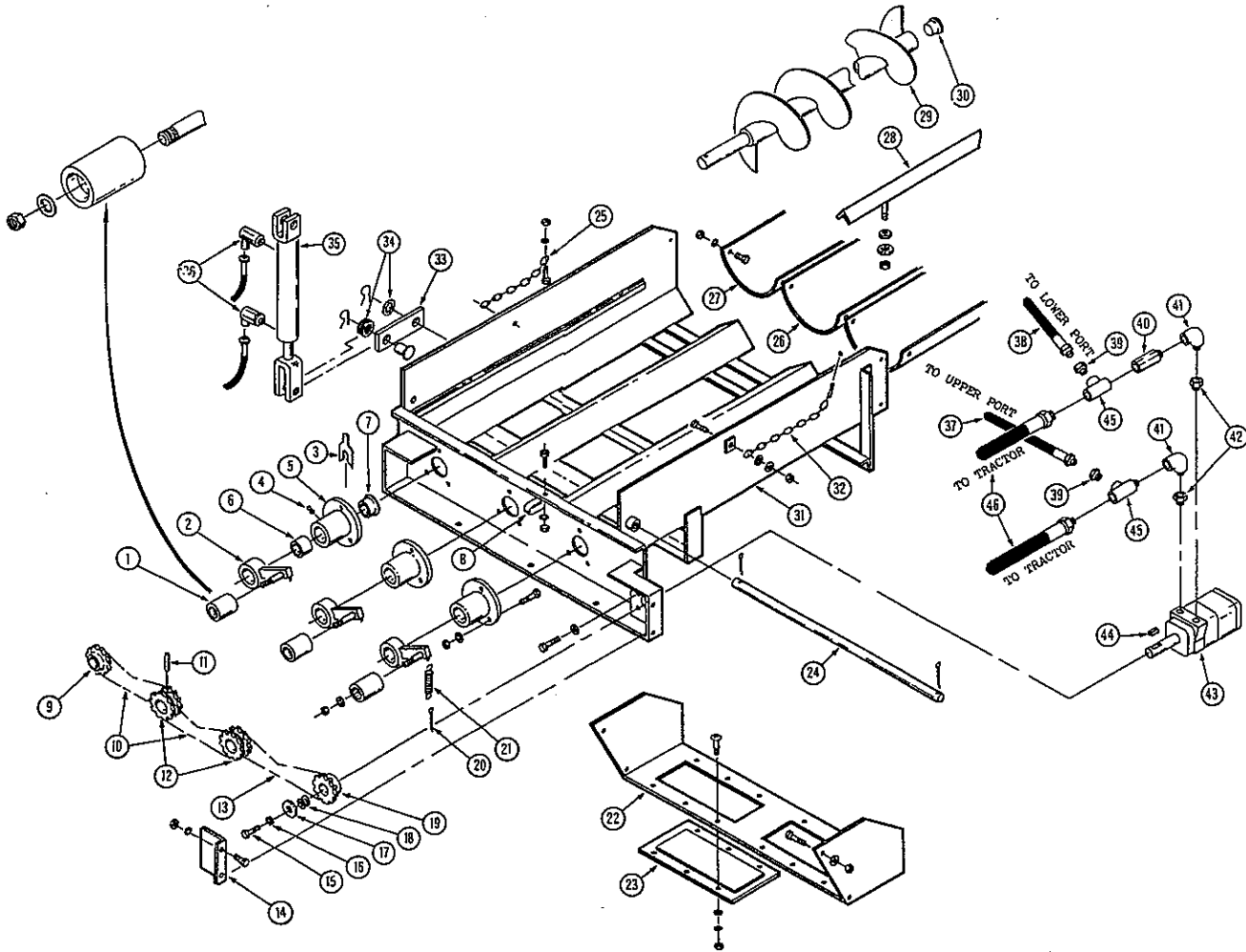
REF	PART NO	QTY	DESCRIPTION
1	101-747	1	Slide Tray Assembly (See Decal Section For Decals)
2	133-951	1	Tray Mtg Rod; 3/4" x 39-1/2" Long Mtg Hrd: 170-115 Cotter Pin (2 ea)
3	170-468	1	Hydraulic Hose Assy; 1/4" x 162"
4	170-471	1	Hydraulic Hose Assy; 1/4" x 170"
5	170-941	1	Hydraulic Cylinder; 2" x 8" Stroke Seal Repair Kit; 170-075
6	171-030	2	Swivel Connector; 3/8" - 90 Degree
7	171-937	2	Magnet; Mtg Hrd: 1/4" x 3/4" Truss Head Bolt, LW, FW & Nut (12 ea)
8	172-005	1	Spring
9	170-479	1	Machine Chain; #4 x 9 Link
10	170-947	1	S-Hhook
11	170-235	2	Reducer Bushing; 1/2" To 3/8"



A \* following a part number (XXX-XXX\*) indicates that the part is no longer used in production for this application. Superscript letters (XXX-XXX<sup>A</sup>) refer to footnotes and/or illustration boxes.

POWER CHUTE PARTS (SIDE MOUNT MOTOR)

RA2550TOW



POWER CHUTE PARTS (SIDE MOUNT MOTOR)

REF	PART NO	QTY	DESCRIPTION
	101-896	1	Complete Chute Assembly
1	134-395	3	Poly Block Mtg Hrd: 5/8" LW & Jam Nut
2	101-231	3	Chain Tightener Arm
3	171-265	A/R	Shim; .017" Thick
	171-266	A/R	Shim; .030" Thick
4	170-865	3	Zerk; 1/8" NPT

KNIGHT MANUFACTURING CORP. PO BOX 167 BROADHEAD, WI 53520  
 OFFICE: (608) 897-2131 PARTS/SERVICE: (608) 897-2125 FAX: (608) 897-2561

## POWER CHUTE PARTS

RA2550-TOW

REF	PART NO	QTY	DESCRIPTION
5	101-227	3	Auger Bearing Assembly Mtg Hrd: 1-3/8" x 1" Bolt, LW & Nut (3 ea)
6	171-259	1	Bushing; Bronze, 1-3/8" I.D.
7	171-260	1	Bushing; Bronze 1-3/8" I.D. Flanged
8	171-782	1	Double Hose Clamp Mtg Hrd: 5/16" x 3/4" Bolt, LW & Nut
9	132-701	1	Sprocket; 50-B-18, 1-3/8" Bore
10	171-932	2	Roller Chain; 50-1-56 Pitch
11	171-297	3	Roll Pin; 1/4" x 2-1/2"
12	134-390	2	Sprocket; 50-2R-18, 1-3/8" Bore
13	171-178	1	Roller Chain; 50-1-48 Pitch
14	134-394	1	Motor Drive Shield; Mtg Hrd: 5/16" x 3/4" Bolt, LW & Nut (2 ea)
15	170-262	1	Bolt; 5/16" x 3/4" Hex Head
16	170-118	1	Washer; 5/16" Lock
17	170-302	1	Washer; 3/8" Heavy
18	171-576	1	Machine Washer
19	134-389	1	Sprocket; 50-B-18, 1" Bore
20	170-135	3	Cotter Pin; 5/32" x 3"
21	170-110	3	Spring
22	101-737	1	Tipoff Assembly Mtg Hrd: 5/16" x 1" Bolt, LW & Nut (2 ea)
23	171-937	2	Magnet Mtg Hrd: 1/4" x 3/4" Truss Head Bolt LW, FW & Nut (6 ea)
24	133-951	1	Tipoff Pivot Rod Mtg Hrd: 170-115 Cotter Pin (2 ea)
25	171-938	1	Chain; 4/0 Coil x 21 Link Mtg Hrd: 5/16" x 1" Bolt, LW & Nut
26	133-943	1	Plastic Chute Liner - Center
27	133-942	2	Plastic Chute Liner - Side Mtg Hrd: 1/4" x 3/4" Truss Head Bolt, LW & Nut (2 ea)
28	101-738	2	Liner Hold-Down Assy
29	101-736	3	Auger Assy
30	171-186	3	Plastic Cap Plug; #16
31	101-897	1	Chute Weldment
32	101-739	1	Chute Restraint Chain Assy Mtg Hrd: 5/16" x 1" Bolt, LW & Nut
33	133-952	1	Chute Cylinder Linkage Bar Mtg Hrd: 170-074 Hairpin Clip (2 ea)
34	170-122	A/R	Spacer Washer; 1" Sae Flat
35	170-161	1	Hydraulic Cylinder; 2" x 18" (Seal Kit #170-075)
36	171-030	2	Swivel Adapter; 3/8" x 90 Degree
37	171-427	1	Hyd Hose; 1/4" x 80" Overall Length
38	171-940	1	Hyd Hose; 1/4" x 64" Overall Length
39	170-235	2	Reducer Bushing; 1/2" to 3/8"
40	171-151	1	Line Check Valve; 1/2"
41	171-136	2	90 Degree Street Elbow; 1/2"
42	171-668	2	Straight Thread Adapter
43	171-666	1	Hyd Motor; 12 cu. in. (Seal Kit #171-257) Mtg Hrd: 3/8" x 7/8" Bolt, LW, & Nut (4 ea)
44	171-883	1	Key; 1/4" x 1/4" x 1" Long
45	170-859	2	Service Tee; 1/2"
46	171-330	2	Hyd Hose; 1/2" x 168" Overall Length

An asterisk (\*) at the end of a part number (XXX-XXX\*) indicates that the part is no longer used in production for this application. Superscript letters (XXX-XXX<sup>A</sup>) refer to footnotes and/or illustration boxes. 13

SELECTOR VALVE - SLIDE TRAY OPTION

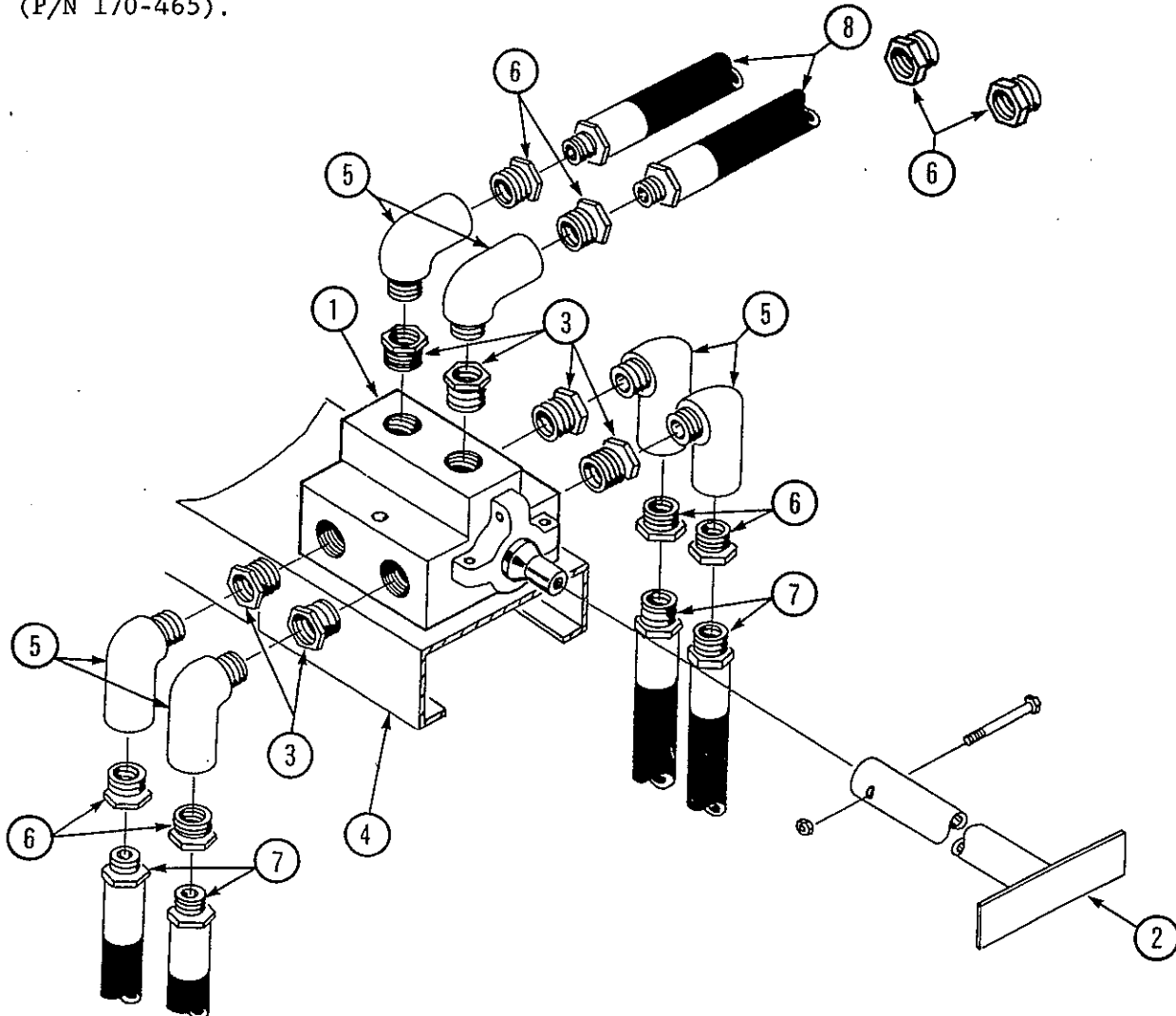
RA2550-TOW DR102191

FACTORY INSTALLED PARTS:

REF	PART NO	QTY	DESCRIPTION
1	101-891	1	Selector Valve Assembly, W/Sleeve Mtg Hrd: 5/16" x 2-1/2" Bolt, LW & Nut (2 ea)
2	101-791	1	Control Handle Assembly Mtg Hrd: 1/4" x 1-1/2" Bolt & LN
3	171-430	6	Reducer Bushing; 3/4" Male To 1/2" Female
4			Hose Holder Assembly (Shown For Reference Only)
5	171-136	6	Street Elbow; 1/2" - 90 Degree
6	170-235	8	Reducer Bushing; 1/2" Male To 3/8" Female
7	170-465	4	Hyd Hose 1/4" x 127"
8	171-998	2	Hyd Hose 1/4" x 117"

FIELD INSTALLATION NOTE:

The field installation kit (P/N 300-010) contains all of the above parts except for four reducer bushings (P/N 170-235) and four hydraulic hoses (P/N 170-465).



KNIGHT MANUFACTURING CORP. PO BOX 167 BRODHEAD, WI 53520

OFFICE: (608) 897-2131 PARTS/SERVICE: (608) 897-2125 FAX: (608) 897-2561

DIVERTER VALVE - POWER CHUTE OPTION

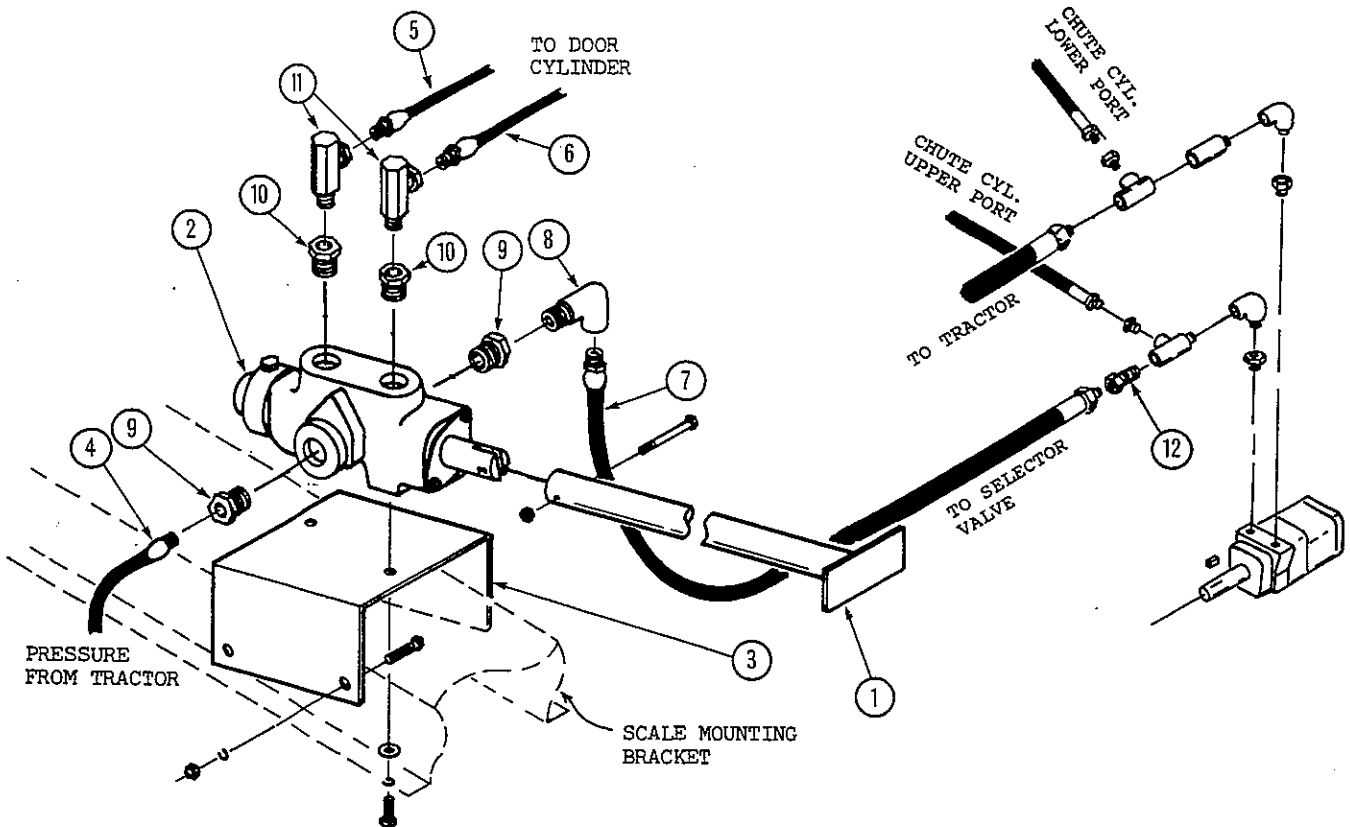
RA2550-TOW DR102191

FACTORY INSTALLED PARTS:

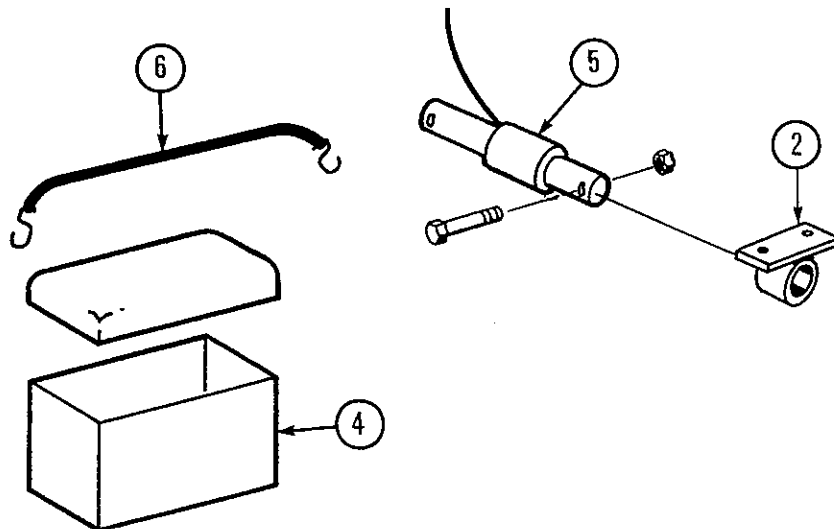
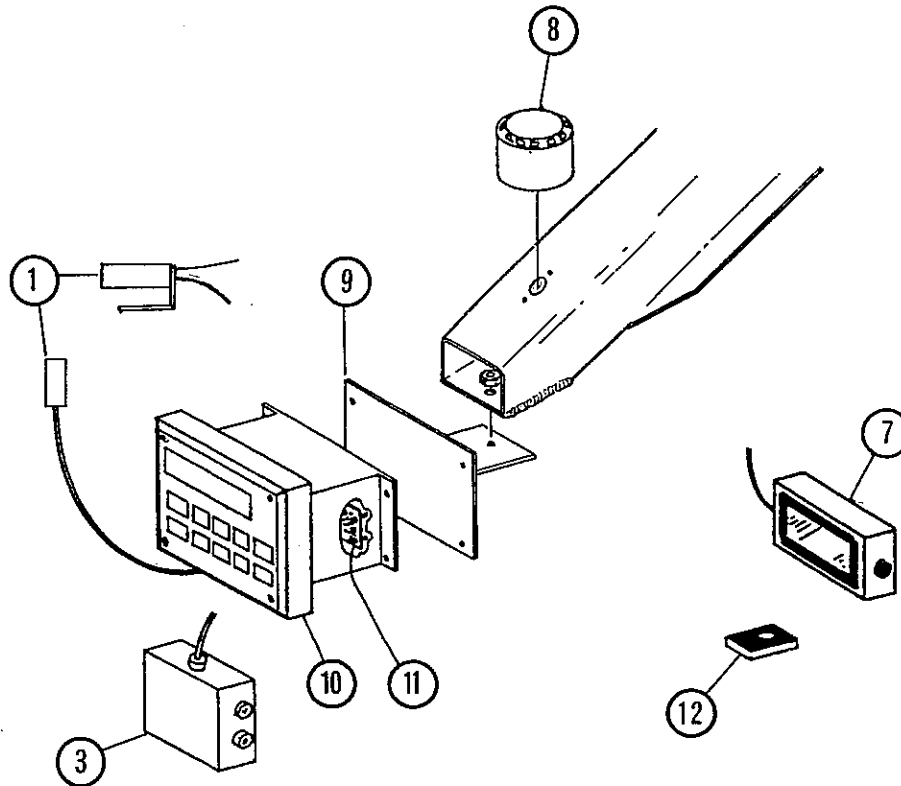
REF	PART NO	QTY	DESCRIPTION
1	101-791	1	Control Handle Assy Mtg Hrd: 1/4" x 1-1/2" Bolt & LN
2	171-424	1	Diverter Valve Assy (Seal Kit #171-847) Mtg Hrd: 3/8" x 3/4" Bolt, LW, & FW (2 ea)
3	134-136	1	Mounting Bracket Mtg Hrd; 1/4" x 3/4" Bolt, LW & Nut
4	171-426	1	Hyd Hose; 1/2" x 96" Long 1/2" Ends
5	170-465	1	Hyd Hose; 1/4" x 127" Long 3/8" Ends
6	171-998	1	Hyd Hose; 1/4" x 117" Long 3/8" Ends
7	171-189	1	Hyd Hose; 1/2" x 108" Long 1/2" Ends
8	171-136	1	Connector; Elbow 1/2" - 90 Degree
9	171-430	2	Connector; Reducer 3/4" To 1/2"
10	170-235	2	Connector; Reducer 1/2" To 3/8"
11	171-030	2	Connector; Swivel 3/8" - 90 Degree
12	170-513	1	Connector; Swivel 1/2" Straight

FIELD INSTALLATION NOTE:

The field installation kit (P/N 300-006) contains all of the above parts except for references 5 - 7 (Field kit doesn't include 170-465, 171-998 and 171-189).



A \* following a part number (XXX-XXX\*) indicates that the part is no longer used in production for this application. Superscript letters (XXX-XXX<sup>A</sup>) refer to footnotes and/or illustration boxes.



**EATON SCALE PARTS**

RA2550-TOW DR030493

REF	PART NO	QTY	DESCRIPTION
1	170-415	1	Plug - Tractor Mount
1	172-333	1	Power Cord Assembly
2	101-938	4	Weigh Bar Mount Spool Mtg Hrd: 5/8" x 2-1/2" Gr 5 Bolt, FW & LN (2 ea)
3	172-335	1	Junction Box With 15' Cord
4	171-158	1	Battery Box With Cover
5	172-309	4	Weigh Bar; 2-1/2" Dia, 30' Cord Length
	171-960		Splice Kit - For Weigh Bar Cord Repair
6	171-936	1	Battery Hold-Down Strap
7	172-336	1	Remote Display With 30' Cable
8	101-916	1	Alarm Horn Assembly Mtg Hrd: #6 x 3/4" Bolt, LW & Nut (2 ea)
9	133-378	1	Indicator Mount Mtg Hrd: 170-238 Spring, 3/8" x 2" Bolt, FW & LN

**Items Used With Model 99B Only:**

10	172-329	1	Indicator; Model 99B (2-1/8" & 2-1/2" Weigh Bars) Mtg Hrd: 1/4" x 3/4" Bolt, FW, LW & Nut (4 ea)
	172-339	1	Operator's Manual; Model 99B

**Items Used With Model 99S Only:**

10	172-331	1	Indicator; Model 99S (2-1/8" & 2-1/2" Weigh Bars) Mtg Hrd: 1/4" x 3/4" Bolt, FW, LW & Nut (4 ea)
	172-340	1	Operator's Manual; Model 99S
11	172-337 <sup>A</sup>	1	Radio Control Package
12	172-338	1	Transmitter; Radio Control

**Items Used With Model 9TL:**

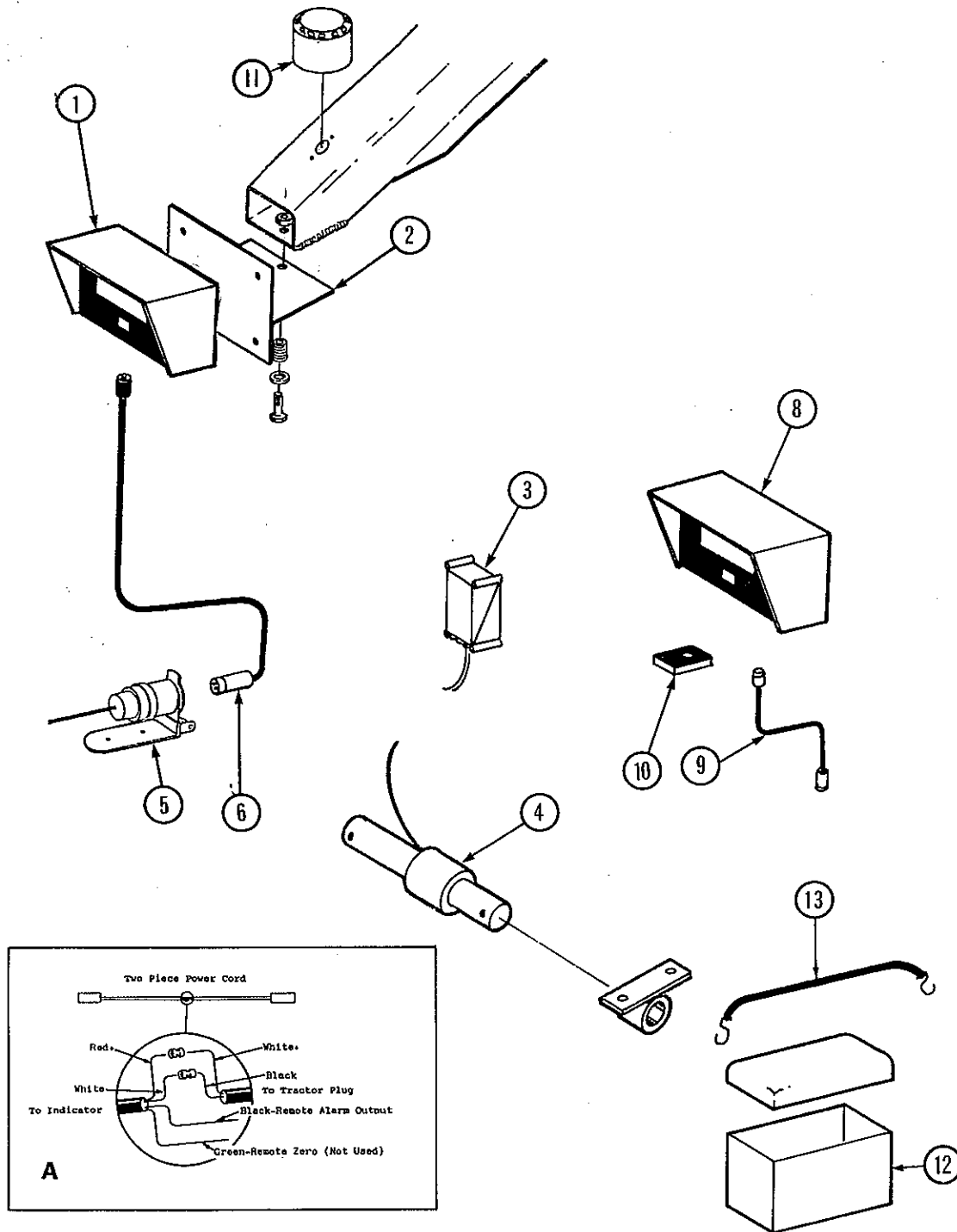
10	172-499	1	Indicator; Model 9TL (2-1/8" & 2-1/2" Weigh Bars) Mtg Hrd: 1/4" x 3/4" Bolt, FW, LW & Nut (4 ea)
	172-298	1	Operators Manual; Model 9TL

**Service Tools:**

	172-386	1	Precision Calibrator For Scale Indicators
--	---------	---	---

A: Indicator must be sent to Knight Mfg. for radio control card installation.

An asterisk (\*) at the end of a part number (XXX-XXX\*) indicates that the part is no longer used in production for this application. Superscript letters (XXX-XXX<sup>A</sup>) refer to footnotes and/or illustration boxes. 17



KNIGHT MANUFACTURING CORP. PO BOX 167 BRODHEAD, WI 53520  
 OFFICE: (608) 897-2131 PARTS/SERVICE: (608) 897-2125 FAX: (608) 897-2561

J-STAR SCALE PARTS

RA2550-TOW DR030493

REF	PART NO	QTY	DESCRIPTION
1	172-128 <sup>B</sup>	1	Model EZ-150 Indicator For 2-1/8" & 2-1/2" Weigh Bar
1	172-129	1	Model 10 Indicator For 2-1/8" & 2-1/2" Weigh Bar
1	172-130	1	Model 20 Indicator For 2-1/8" & 2-1/2" Weigh Bar
	172-130	1	Model EZ-210 Indicator For 2-1/2" Weigh Bar
	172-500	1	Model EZ-320 Indicator For 2-1/2" Weigh Bar
			Mtg Hrd: 1/4" x 3/4" Bolt, FW, LW & Nut (2 ea)
2	101-835	1	Indicator Mount Mtg Hrd: Spring (170-238)
			3/8" x 2" Bolt, FW & LN
3	172-134	1	Junction Box
4	172-311	4	Weigh Bar; 2-1/2", 21' Cord
	171-960		Splice Kit - For Weigh Bar Cord Repair
5	170-415	1	Plug - Tractor Mount
6	172-354	1	Power Cord Assy
6	172-183 <sup>*A</sup>	1	Power Cord - Scale End
6	171-896 <sup>*A</sup>	1	Power Cord - Tractor End

## Optional Items:

8	172-140	1	Model 20R Remote Display (Less Cable)
	172-141	1	Model 20R/TR R.D. W/Transmitter (Less Cable)
9	172-142	1	Cable For P/N 172-140 & 172-141
10	172-143	1	Extra Transmitter For Model 20R/TR
	172-165	1	30' J-Box Extension Cable (Optional)
	172-166	1	10' J-Box Extension Cable (Optional)
11	101-917	1	Alarm Horn Assembly
			Mtg Hrd: #6 x 3/4" Bolt, LW & Nut (2 ea)
12	171-158	1	Battery Box
13	171-936	1	Battery Hold-Down Strap

## Service Tools:

	172-386	1	Precision Calibrator For Scale Indicators
--	---------	---	---

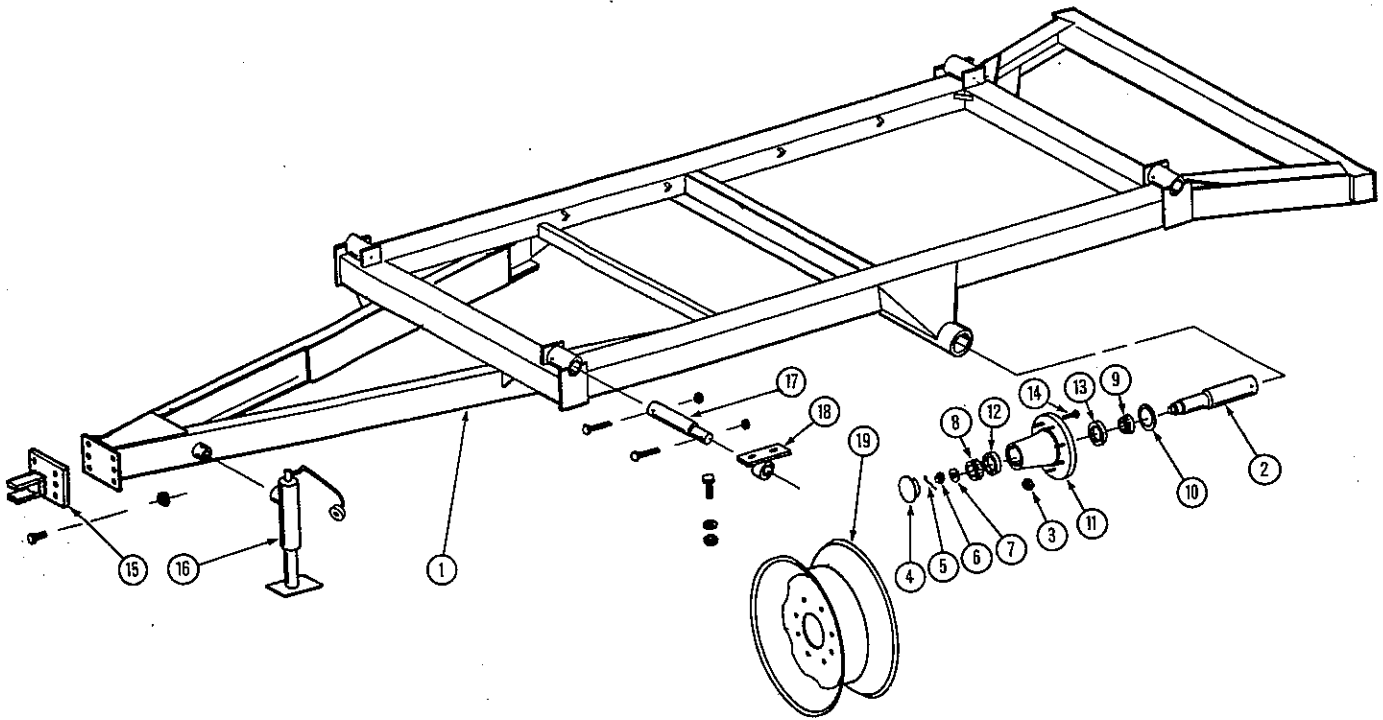
A: The two-piece power cord (171-896 & 172-183) has been replaced as of 8-91. Order the 172-354 cord.

B: Oct. 92, J-Star Model 5 indicator was replaced by Model EZ-150.

An asterisk (\*) at the end of a part number (XXX-XXX\*) indicates that the part is no longer used in production for this application. Superscript letters (XXX-XXX<sup>A</sup>) refer to footnotes and/or illustration boxes. 19

UNDERCARRIAGE

RA2550-TOW DR012792



KNIGHT MANUFACTURING CORP. PO BOX 167 BRODHEAD, WI 53520  
OFFICE: (608) 897-2131 PARTS/SERVICE: (608) 897-2125 FAX: (608) 897-2561

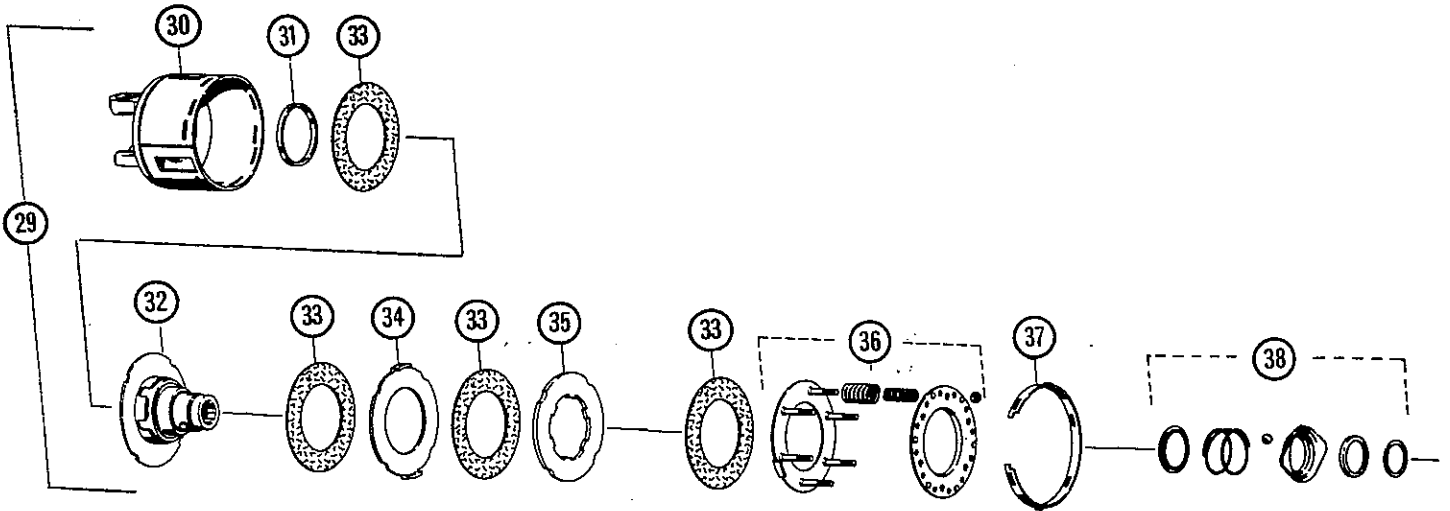
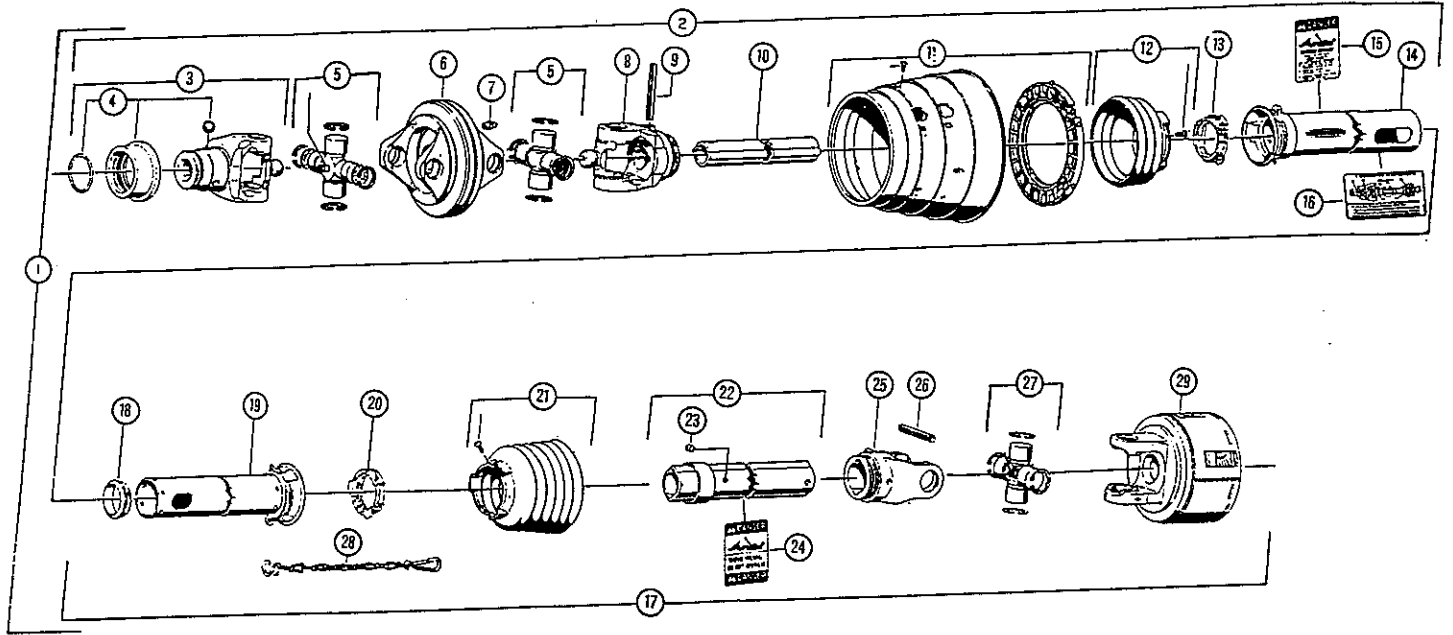
UNDERCARRIAGE

RA2550-TOW DR012792

REF	PART NO	QTY	DESCRIPTION
1	101-973	1	Undercarriage for RA2550
2	134-562	2	Spindle; 3-3/8" x 15-1/2"
3	170-920	20	Nut; 3/4" NF
4	170-926	2	Dust Cap; Mtg Hrd: 5/16" x 3/4" Bolt (4 ea)
5	170-056	2	Cotter Pin; 1/4" x 2"
6	170-927	2	Castle Nut; 1-1/4" NF
7	170-928	2	Washer; 1-1/4"
8	170-921	2	Bearing Cone; 1-3/4" Timken 460
9	172-360	2	Bearing Cone; Timken - 33275
10	172-362	2	Seal
11	172-396	2	10 Bolt Hub Assembly
12	170-922	1	Bearing Race; 4-1/4" OD, Timken 453A
13	172-361	1	Bearing Race; Timken 33462
14	170-919	10	Stud; 3/4" NF
15	101-923	1	Tongue Clevis Assy Mtg Hrd: 3/4" x 2" GRD 8 Bolt & LN
16	171-610	1	Jackstand; #7000 Sidewind
17	134-617	4	Dummy Weigh Bar Mount (For Units Without Scales) Mtg Hrd To Endstop; 3/8" x 2-1/2" Bolt & LN Mtg Hrd To Spool; 3/8" x 4" Bolt & LN
18	101-938	4	Scale Bar Mount; 2-1/2" Scale System Mtg Hrd: 5/8" x 2-1/2" Bolt, FW & LN (4) Front, 5/8" x 1-3/4" Bolt, FW & Nut (4) Rear
19	172-312	2	Wheel; 22-1/2" x 13-1/2", 10-Bolt

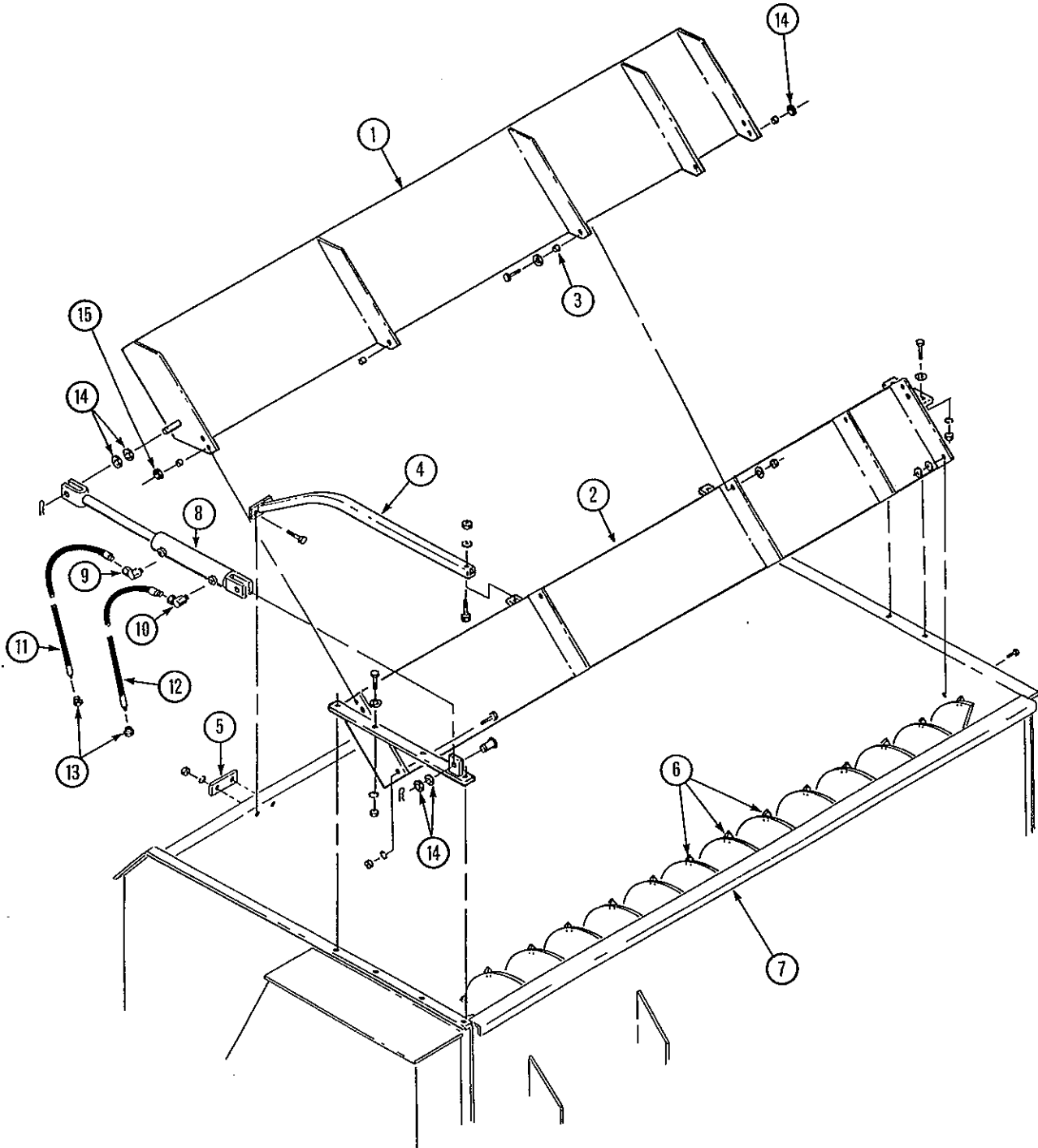
PTO DRIVELINE & FRICTION CLUTCH

RA2550-TOW DR012792



## Waltershied Constant Velocity PTO

REF	PART NO	QTY	DESCRIPTION
1	172-194	1	Wide Angle PTO Drive Shaft W/Shielding (540 RPM)
1	172-211	1	Wide Angle PTO Drive Shaft W/Shielding (1000 RPM)
2	172-222	1	Male Wide Angle Half Shaft W/Shielding (540 RPM)
2	172-404	1	Male Wide Angle Half Shaft W/Shielding (1000 RPM)
3	172-200	1	End Yoke (540 RPM)
3	172-203	1	End Yoke (1000 RPM)
4	172-028	1	Quick Disconnect Kit
5	172-204	2	Cross & Bearing Kit
6	172-202	1	CV Double Yoke
7	172-208	1	Grease Zerk
8	172-201	1	Inboard Yoke
9	171-983	1	Spring Pin
10	172-196	1	Inner Profile
11	172-205	1	CV Cone & Bearing Assembly Mtg Hrd: #172-210 Screw (2 ea)
12	172-206	1	Shield Cone; Three Rib Mtg Hrd: #172-210 Screw (3 ea)
13	171-979	1	Bearing Ring
14	172-199	1	Outer Shield Tube W/Cap
15	171-550	1	Decal; Danger - Rotating Driveline
16	172-227	1	Decal; Lubrication Requirements
17	172-223	1	Female Half Shaft With Shielding
18	172-207	1	Support Bearing
19	172-198	1	Inner Shield Tube W/Cap
20	171-979	1	Bearing Ring
21	172-030	1	Shield Cone; Six Rib Mtg Hrd: #172-210 Screw (3 ea)
22	172-197	1	Outer Profile & Sleeve
23	172-209	1	Grease Zerk
24	171-799	1	Decal; Danger, Shield Missing...
25	172-033	1	Inboard Yoke
26	171-983	1	Spring Pin
27	171-980	1	Cross & Bearing Kit
28	172-040	1	Safety Chain
29	***-***	1	Friction Clutch, Can't Be Purchased Assembled
30	172-037	1	Clutch Housing
31	172-038	1	Ring
32	172-036	1	Hub & Drive Plate
33	171-977	4	Friction Disk
34	171-976	1	Drive Plate
35	171-975	1	Drive Plate
36	171-974	1	Spring Pack
37	171-978	1	Setting Ring
38	172-029	1	Quick Disconnect Flange Kit



KNIGHT MANUFACTURING CORP. PO BOX 167 BRODHEAD, WI 53520  
OFFICE: (608) 897-2131 PARTS/SERVICE: (608) 897-2125 FAX: (608) 897-2561

HAY-MAX KIT PARTS

2550 TOW DR060493

REF	PART NO	QTY	DESCRIPTION
	300-038 <sup>A</sup>	1	Hay-Max Retro Fit Kit
1	102-024	1	Upper Attachment
			Mtg Hrd: 1/2" x 1-1/2" Bolt, LN (5), 1/2" FW (10)
2	102-025	1	Lower Attachment Mtg Hrd: 1/2" x 1-1/4" Bolt, LW & Nut (7), 1/2" x 1-1/2" Bolt, LW & Nut (1)
3	134-771	5	Pivot Bushing
4	102-022	3	Bucket Guard Mtg Hrd; 1/2" x 3" Bolt, LW & Nut (1) 3/8" x 1-1/4" Bolt, LW & Nut (2)
5	134-012	3	Bucket Guard Mount
6	133-835	126	Auger Knife Mtg Hrd: 1/4" x 1" Bolt, FW & LN (2 ea. Knife)
7	134-693	3	U-Channel
8	172-441	1	Hydraulic Cylinder; 2" x 10" Stroke Seal Kit Order 172-446
9	171-030	1	90° Swivel Adapter; 3/8"
10	171-723	1	90° Swivel Restrictor; 3/8"
11	170-468	1	Hydraulic Hose; 1/4" x 162"
12	170-471	1	Hydraulic Hose; 1/4" x 170"
13	170-235	2	Reducer Fitting; 1/2" To 3/8"
14	170-122	A/R	Spacer Washer; 1" SAE Flat
15	172-445	2	1/2" Flat Washer
	172-442	1	Electric Switching Valve (Optional) Mounted On Tractor

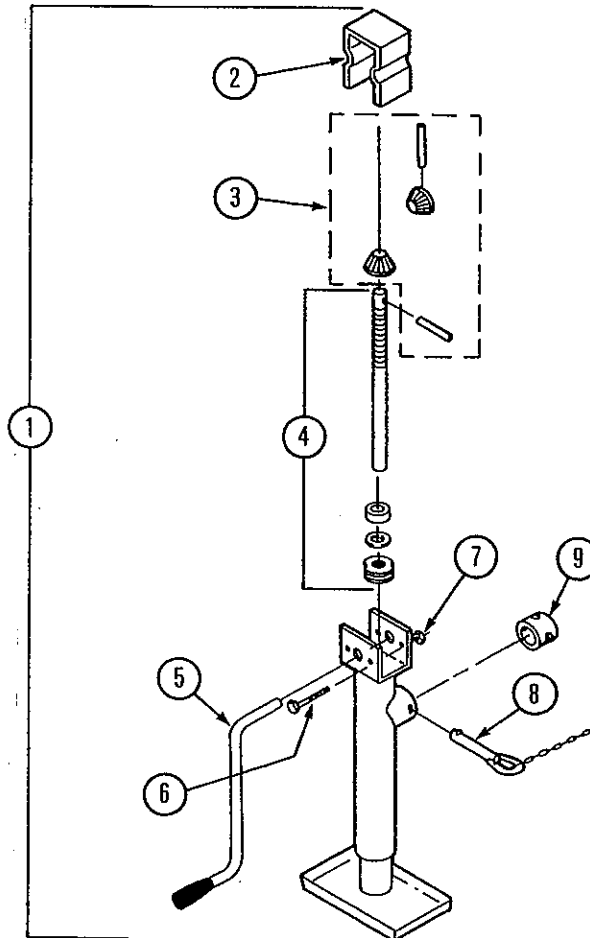
A: Hay-Max Retro Fit Kit for 2000 series mixers will require upper auger assy to be reflighted or replaced. Auger parts are not included as part of Hay-Max Kit and must be ordered separately as required by customer. See Reel and Auger section for auger parts.

Hydraulic powered Hay-Max Kit is optional and is not included in retro-fit kit. Hydraulic option is ordered separately.

JACKSTAND

RA2550-TOW DR

REF	PART NO	QTY	DESCRIPTION
1	171-610	1	Jackstand Assy
2	171-814	1	Cover
3	171-614	1	Gear Kit
4	171-611	1	Screw, Nut, Bearing & Washer Assy
5	171-612	1	Crank Assy
6	170-509	1	Carriage Bolt; 1/4" x 3"
7	170-125	2	1/4" Nut
8	171-613	1	Pull Pin
9	171-615	1	Mount Tube Assy

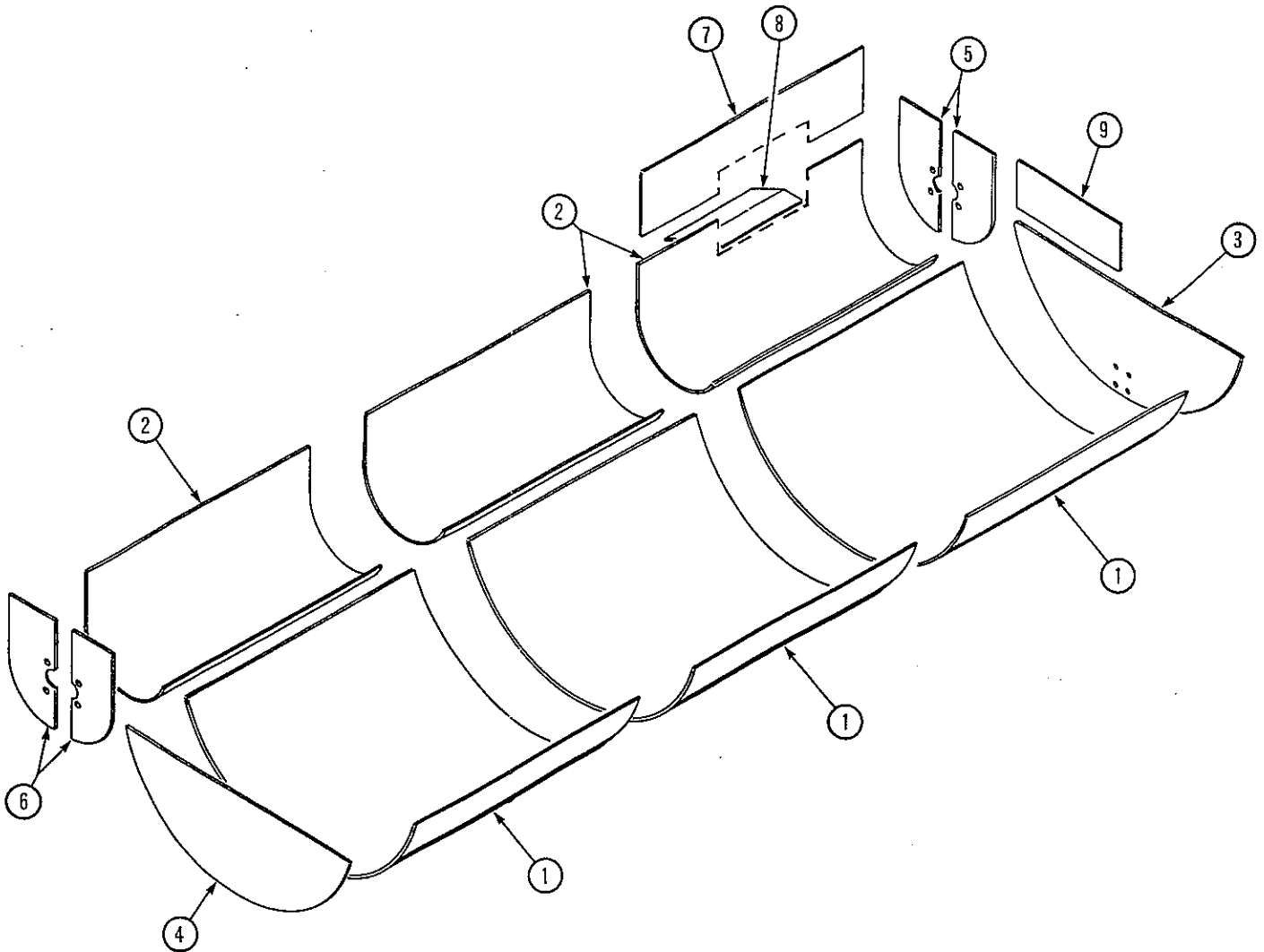


KNIGHT MANUFACTURING CORP. PO BOX 167 BRODHEAD, WI 53520  
OFFICE: (608) 897-2131 PARTS/SERVICE: (608) 897-2125 FAX: (608) 897-2561

REPAIR LINER PARTS

RA2550-TOW DR122892

REF	PART NO	QTY	DESCRIPTION
1	134-722	3	Reel Liner
2	134-723	3	Auger Liner
3	134-718	1	Reel End Panel (Front)
4	134-719	1	Reel End Panel (Rear)
5	134-720	1	Auger End Liner (Front) Part Number Includes Both Left & Right Halves
6	134-721	1	Auger End Liner (Rear) Part Number Includes Both Left & Right Halves
7	134-704	1	Upper Door Liner
8	134-716	1	Door Opening Liner
9	134-717	1	Upper Reel End Liner



An asterisk (\*) at the end of a part number (XXX-XXX\*) indicates that the part is no longer used in production for this application. Superscript letters (XXX-XXX<sup>A</sup>) refer to footnotes and/or illustration boxes. 27

DECAL & PAINT LIST

RA2550-TOW DR122892

The following decals are listed below for your convenience.  
Use the operator's manual for decal location, part number and ordering.

Unit Decals:

PART NO	QTY	DESCRIPTION
172-389	1	Set Of Decals
170-154	2	"KNIGHT"
170-155	2	Knight Head
170-490	1	Important - Reduce Engine Speed . . .
170-849	3	WARNING - Beware of Power Driven . . .
170-893	1	Slow Moving Vehicle Decal
171-712	1	NOTICE - Retighten Set Screws . . .
171-748	1	Door Gauge
171-820	4	DANGER - Rotating Auger Inside . . .
171-905	2	"REEL AUGGIE"
172-327	2	"2550"
171-911	1	Operating Precautions
171-913	1	WARNING - Do Not Operate . . .
171-915	2	DANGER - Shield Missing . . .
171-916	2	DANGER - Rotating Driveshaft . . .
171-947	4	DANGER - Do Not Hand Load . . .
171-948	1	BEWARE - If Mixer . . .
171-949	1	"U.S. Patent No. . . ."
171-992	2	Red Reflector
171-993	1	Friction Clutch Operation
172-238	1	CAUTION - Read Operator's Manual
172-292	1	Full Line

Power Chute and Slide Tray Decals:

171-914	2	WARNING - Stay Clear Of Chute . . .
171-991	1	Decal; Amber Reflector
171-992	1	Decal; Red Reflector

PTO Driveline Decals:

171-550	1	DANGER - Rotating Driveline
171-799	1	DANGER - Shield Missing
171-599	1	Do Not Exceed 540 RPM . . . 540 RPM Only
171-609	1	Do Not Exceed 1000 RPM . . . 1000 RPM Only

Paint:

170-366	Knight Yellow Aerosol Can
170-812	Knight Yellow Quart Can
170-813	Knight Yellow Gallon Can
170-367	Knight Red Aerosol Can
170-814	Knight Red Quart Can
170-815	Knight Red Gallon Can

KNIGHT MANUFACTURING CORP. PO BOX 167 BROADHEAD, WI 53520  
OFFICE: (608) 897-2131 PARTS/SERVICE: (608) 897-2125 FAX: (608) 897-2561

OPTIONAL KITS

RA2550-TOW DR

**Safety Chain for Towed Equipment      P/N 172-195**

This chain is designed to retain the connection between towing and towed machines, in the event of separation of the primary attaching system. It should be utilized whenever the unit is on the highway.

**Light Kit For Towed Equipment**

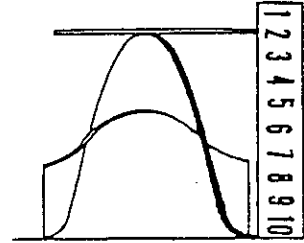
This light kit is designed for lighting and marking of agricultural field equipment whenever the equipment is on a highway. This kit is pre-assembled, and it includes mounting hardware.

PART NO	QTY	DESCRIPTION
300-007	1	Complete Light Kit - Assembled
172-173	2	Red And Amber Light Assembly
172-174	25'	4 Conductor Wire
172-175	1	4 Pin In-Line Connector (Male & Female)
Options:		
172-110	1	7 Pin Female Connector

FLIGHTING TERMS AND DIMENSIONS

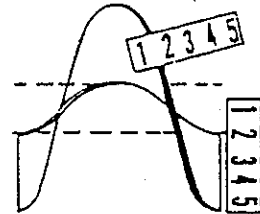
RA2550-TOW DR122892

OUTSIDE DIAMETER: Outside diameter can be determined by laying the flight on a flat surface and measuring from the top to the base.  
NOTE: Dimensions may vary slightly.

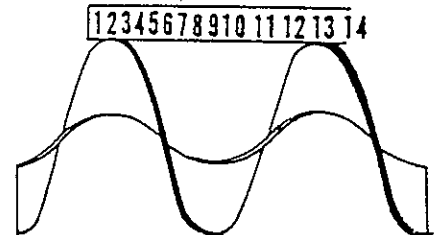


THICKNESS: Thickness of flighting can be determined with any linear measuring instrument.

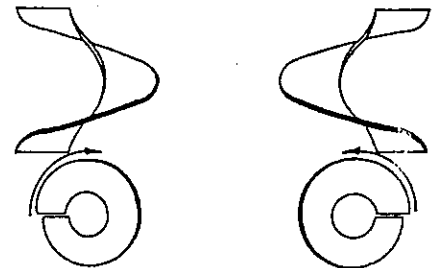
INSIDE DIAMETER: To find the inside diameter of flight, measure the distance from the inside of the flight to the peak. Then multiply the dimension by two and subtract the answer from the outside diameter dimension.



PITCH: Pitch is the dimension from one peak to the next, measured along the axis of the shaft. The term full pitch means that the outside diameter and the pitch are the same.



RIGHT HAND AND LEFT HAND FLIGHTING: As you look at the face of flighting and it is slanting downward to the right; it is right hand and if it is slanting downward to the left; it is left hand.



Flighting dimensions are written in a series similar to the following:

1/4" - 4" - 14" - 14"  
Thick - I.D. - O.D. - Pitch

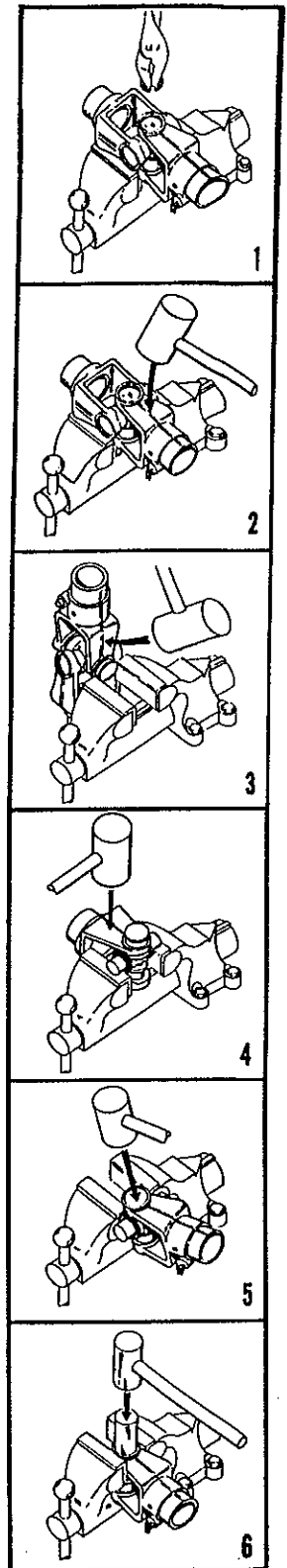
DISASSEMBLY PROCEDURE:

1. Remove the four snap rings as shown in Figure #1.
2. Position the joint in an open vise, with each ear of one yoke supported by a vise jaw. Figure #2
3. With a soft hammer or mallet, strike the top ear of the unsupported yoke as indicated by the arrow in Figure #2. This will drive the top bushing outward approximately 3/8 of an inch.
4. Grip the loosened bushing in the vise as shown in Fig. #3. Drive the yoke off the bushing by striking the yoke ear with a mallet in the direction of the arrow. (Fig. #3)
5. This same procedure should be followed to remove the bushing that is directly opposite the one in Step 4. After this, the yoke itself may be removed.
6. To remove the remaining two bushings, support the cross as shown in Figure #4. Make certain that the vise jaws are covered with brass protectors. By striking the yoke ear as indicated by the arrow in Figure #4, the remaining bushings can be removed by repeating the procedure called for in Step 4 & Figure #3.

ASSEMBLY PROCEDURE:

DURING REASSEMBLY, BE SURE THAT THERE IS NO DIRT ON THE TRUNNIONS OF THE CROSS OR IN THE BUSHINGS!

1. Start one bushing in the yoke ear and position the center cross through the yoke. Drive the first bushing down flush with the outside surface of the ear as shown in Fig. #5. Support the underside of the ear so as not to spring the yoke.
2. Clamp the ear in the vise as shown in Figure #6. Use a punch of the same diameter as the bushing, drive the bushing past the snap ring groove, and insert a snap ring.
3. Position the cross and drive in the opposite bushing as described in Steps 1 & 2, and Insert a snap ring.
4. Assemble the second yoke in the same manner.
5. To insure proper seating, and to eliminate any possible tightness, strike the forged surfaces of the yoke ears with a mallet. This will insure a free flexing joint.
6. Lubricate with a good grade of multipurpose grease.



HARDWARE PART NUMBER LISTING

RA2550-TOW DR122892

All hex head bolts up to and including 7/16" dia are grade 5 unless otherwise specified. All fasteners are NC thread unless otherwise specified.

<u>Size</u>	<u>Hex Nuts</u>	<u>Locknuts</u>	<u>Jam Nuts</u>	<u>Flt Wsh.</u>	<u>Lk Wsh.</u>
#10	171-606			171-525	171-605
1/4	170-125	170-069		170-301	170-124
5/16	170-119	170-028		170-127	170-118
3/8	170-007	170-047	170-022	170-244	170-006
7/16	170-062	170-239	170-046	170-138	170-061
1/2	170-004	170-042	170-036	170-040	170-003
5/8	170-011	170-031	170-037	170-066	170-010
3/4	170-017	170-185	170-035	170-015	170-016
7/8				170-131	172-003
1				170-122	171-021

HEX HEAD BOLTS

<u>Bolt Size</u>	<u>Part No</u>	<u>Bolt Size</u>	<u>Part No</u>	<u>Bolt Size</u>	<u>Part No</u>
1/4 x 3/4	170-803	3/8 x 3	170-380	5/8 x 1-3/4	170-030
1/4 x 7/8	171-094	3/8 x 3-1/2	170-292	(Tap Bolt - Grade 5)	
1/4 x 1	170-310	3/8 x 4	170-877	5/8 x 2	170-009
1/4 x 1-1/2	170-068	3/8 x 4-1/2	170-519	(Grade 5)	
1/4 x 2-3/4	171-203	3/8 x 5	170-493	5/8 x 2	171-772
1/4 x 3	171-403	3/8 x 5-1/2	170-593	(Tap Bolt)	
5/16 x 5/8	170-532	3/8 x 6-1/2	171-291	5/8 x 2-1/2	170-129
5/16 x 3/4	170-262	7/16 x 3/4	170-265	(Tap Bolt)	
5/16 x 7/8	170-256	7/16 x 1	170-032	5/8 x 3	170-258
5/16 x 1	170-027	7/16 x 1-1/4	170-354	5/8 x 3-1/2	170-038
5/16 x 1-1/4	170-188	7/16 x 1-1/2	170-059	5/8 x 4	170-371
5/16 x 1-1/2	170-372	7/16 x 2	170-356	5/8 x 4-1/2	170-067
5/16 x 1-3/4	170-263	7/16 x 2-1/2	170-379	5/8 x 5	170-065
5/16 x 2	170-376	7/16 x 3	170-270	5/8 x 6	170-381
5/16 x 2-1/2	170-369	7/16 x 5-1/2	170-377	5/8 x 9-1/2	171-039
5/16 x 3	170-295	7/16 x 6	170-378	3/4 x 2	170-058
5/16 x 3-1/4	171-639	1/2 x 3/4	171-252	3/4 x 2-1/4	171-275
5/16 x 4	170-293	1/2 x 1	170-149	3/4 x 2-1/2	170-374
(Tap Bolt)		1/2 x 1-1/4	170-373	3/4 x 3	170-014
5/16 x 4-1/2	170-294	1/2 x 1-1/2	170-002	3/4 x 3-1/2	170-195
3/8 x 3/4	170-439	1/2 x 2	170-050	3/4 x 4	170-419
3/8 x 7/8	170-268	1/2 x 2-1/2	170-319	3/4 x 4-1/2	170-846
3/8 x 1	170-054	1/2 x 3	170-168	(Grade 5)	
3/8 x 1-1/4	170-005	1/2 x 4	171-509	3/4 x 6	171-116
3/8 x 1-1/2	170-368	1/2 x 4-1/2	171-573	(Grade 5)	
3/8 x 2	170-245	1/2 x 5	171-412		
3/8 x 2-1/4	170-320	5/8 x 1 (G.5)	171-087		
3/8 x 2-1/2	170-257	5/8 x 1-1/4	171-366		

KNIGHT MANUFACTURING CORP. PO BOX 167 BROADHEAD, WI 53520

OFFICE: (608) 897-2131 PARTS/SERVICE: (608) 897-2125 FAX: (608) 897-2561

TRUSS HEAD BOLTS

<u>Bolt Size</u>	<u>Part No</u>
#8 x 1-1/2	171-210
#10 x 3/4	171-604
1/4 x 1/2	170-123
1/4 x 3/4	170-193
1/4 x 1	170-194
5/16 x 1 (Grade 5)	170-117

CARRIAGE BOLTS

<u>Bolt Size</u>	<u>Part No</u>
1/4 x 1-1/2	170-355
1/4 x 2-1/2	171-394
1/4 x 3	170-509
5/16 x 1	170-370
5/16 x 2-1/2	171-395
5/16 x 5-1/2	170-494
3/8 x 3-1/2	171-283
3/8 x 4-1/2	170-191
3/8 x 5	170-495
3/8 x 6-1/2	171-174
3/8 x 8	170-297
1/2 x 6-1/2	171-098
1/2 x 9	171-255

ZERKS

<u>Size</u>	<u>Part No</u>
1/4-28	170-023
1/4-28 - 45	170-148
1/4-28 - 90	170-049
1/4 NPT	170-277
1/8 NPT	170-865
1/8 NPT-45	170-864
1/8 NPT-65	170-215
1/8 NPT-90	170-866

COTTER PINS

<u>Size</u>	<u>Part No</u>
1/16 x 1/2	170-992
3/32 x 3/4	170-364
1/8 x 3/4	170-177
1/8 x 1	170-045
1/8 x 1-1/4	170-033
1/8 x 1-1/2	170-382
5/32 x 1	170-421
5/32 x 1-1/2	170-236
5/32 x 3	170-135
3/16 x 1-1/4	170-991
3/16 x 2	170-115
1/4 x 1-1/2	170-521
1/4 x 2	170-056

SET SCREWS

<u>Size</u>	<u>Part No</u>
1/4 x 1/4 NC	170-247
5/16 x 5/16NC	170-248
5/16 x 1/2 NC	170-254
5/16 x 1/4 NF	170-993
5/16 x 5/16NF	170-825
5/16 x 5/8 NF	170-456
3/8 x 1/4 NC	170-856
3/8 x 3/8 NC	170-151
3/8 x 1/2 NC	170-857
(nylock)	
3/8 x 3/4 NC	170-289
(sq head)	
3/8 x 3/4 NC	170-290
(sq hd drilled)	
3/8 x 1 NC	170-021
3/8 x 1/2 NF	171-469
7/16 x 7/16NC	170-288
7/16 x 1 NC	170-147
(sq head)	
1/2 x 5/8 NC	170-249
1/2 x 1 NC	170-438
1/2 x 1-1/4NC	171-085
(half dog point)	
5/8 x 5/8 NC	170-250

ROLLER CHAIN  
CONNECTOR LINKS

<u>Size</u>	<u>Part No</u>
#50-2R	170-094
#50	170-088
#60-2R	170-095
#60	170-089
#60H	171-102
#80	170-090
#80H	170-821
#100	170-091
#100H	171-969
#120	170-092
#140	170-093
#160	170-888

OFFSET LINKS

<u>Size</u>	<u>Part No</u>
#50	170-096
#60-2R	170-103
#60	170-097
#80	170-098
#80H	170-820
#100	170-099
#120	170-100
#140	170-101
#160	170-887

ROLLER LINKS

<u>Size</u>	<u>Part No</u>
#50	171-415
#60	171-416
#80	171-417
#80H	170-795
#120	171-419
#140	171-420

PART NUMBER INDEX

RA2550-TOW DR122892

<u>Part No</u>	<u>Page</u>	<u>Part No</u>	<u>Page</u>	<u>Part No</u>	<u>Page</u>	<u>Part No</u>	<u>Page</u>
171-896	19	133-951	11, 13	170-154	27	171-048	7
101-227	13	133-952	13	170-155	27	171-049	7
101-231	12	133-977	10	170-161	13	171-136	13-15
101-337	3	133-978	10	170-235	10,	171-151	13
101-722	10	134-012	7	11, 13-15		171-158	17,
101-736	13	134-117	5	170-235	14	19, 21	
101-737	13	134-123	9	170-244	5, 7	171-178	13
101-738	13	134-136	15	170-262	13	171-186	13
101-739	13	134-155	3, 7	170-302	13	171-189	15
101-747	11	134-352	9	170-366	27	171-189	15
101-786	7	134-367	9	170-367	27	171-259	13
101-787	7	134-389	13	170-415	17,	171-260	13
101-791	14, 15	134-390	13	19, 21		171-265	12
101-814	7	134-394	13	170-465	14, 15	171-266	12
101-818	3	134-395	12	170-465	15	171-297	13
101-835	19	134-446	7	170-465	14	171-299	5, 7
101-891	14	134-447	7	170-468	10, 11	171-302	7
101-896	12	134-453	9	170-471	10, 11	171-330	13
101-897	13	134-454	9	170-479	11	171-409	3
101-906	21	134-455	9	170-490	27	171-424	15
101-916	17	134-456	9	170-509	26	171-426	15
101-917	19	134-469	3	170-513	15	171-427	13
101-918	21	134-470	3	170-800	3, 7	171-430	14, 15
101-923	23	134-471	3	170-812	27	171-467	3
101-925	9	134-473	3	170-813	27	171-550	25, 27
101-926	9	134-474	3	170-814	27	171-576	13
101-927	9	134-475	3	170-815	27	171-585	3
101-928	9	134-476	3	170-845	7	171-592	3
101-929	9	134-490	5	170-849	27	171-599	27
101-930	9	134-491	9	170-859	13	171-609	27
101-931	9	134-547	9	170-865	5, 7,	171-610	23, 26
101-935	9	134-560	9	12		171-611	26
101-936	9	134-562	23	170-893	27	171-612	26
101-937	9	134-568	3	170-898	3	171-613	26
101-938	17, 23	134-569	3	170-919	23	171-614	26
101-939	7	134-570	3	170-920	23	171-615	26
101-940	5	134-617	23	170-921	23	171-666	13
101-945	23	170-008	3, 7	170-922	23	171-668	13
101-947	3, 7	170-056	23	170-926	23	171-696	10
101-948	3	170-073	10	170-927	23	171-712	27
132-701	13	170-110	13	170-928	23	171-748	27
133-378	17	170-118	13	170-941	10, 11	171-782	13
133-445	10	170-122	13	170-947	11	171-799	25, 27
133-552	7	170-125	26	170-981	21	171-801	3
133-835	9	170-135	13	171-030	10,	171-814	26
133-899	3	170-142	7	11, 13, 15		171-820	27

PART NUMBER INDEX CONTINUED

RA2550-TOW DR122892

<u>Part No</u>	<u>Page</u>	<u>Part No</u>	<u>Page</u>	<u>Part No</u>	<u>Page</u>
				172-030	25
		172-310	21	172-033	25
171-861	21	172-311	19	172-036	25
171-883	13	172-312	23	172-037	25
171-896	19	172-327	27	172-038	25
171-905	27	172-329	17	172-040	25
171-911	27	172-331	17	172-045	5
172-129	19	172-333	17	172-110	28
172-130	19	172-335	17	172-128	19
172-134	19	172-336		172-337	17
172-140	19	17171-913	27	172-338	17
172-141	19	171-914	27	172-339	17
172-142	19	171-915	27	172-340	17
172-143	19	171-916	27	172-346	3
172-165	19	171-919	3, 7	172-347	3
172-166	19	171-920	9	172-348	7
172-173	28	171-930	3, 7	172-349	21
172-174	28	171-932	13	172-349	21
172-175	28	171-934	3, 7	172-350	21
172-183	19	171-935	5	172-351	21
172-183	19	171-936	17,	172-351	21
172-194	25	19, 21		172-354	19
172-195	28	171-937	11, 13	172-355	5
172-196	25	171-938	13	172-360	23
172-197	25	171-940	13	172-361	23
172-198	25	171-947	27	172-362	23
172-199	25	171-948	27	172-367	7
172-200	25	171-949	27	172-368	7
172-201	25	171-960	17,	172-375	5
172-202	25	19, 21		172-386	17, 19
172-203	25	171-972	5	172-389	27
172-204	25	171-974	25	172-390	5
172-205	25	171-975	25	172-396	23
172-206	25	171-976	25	300-006	15
172-207	25	171-977	25	300-007	28
172-208	25	171-978	25	300-010	14
172-209	25	171-979	25	300-022	10
172-211	25	171-980	25	133-924	10
172-222	25	171-983	25	133-942	13
172-223	25	171-991	27	133-943	13
172-227	25	171-992	27	172-292	27
172-238	27	171-993	27	172-309	17
172-277	21	171-998	14, 15		
172-279	21	172-005	3, 7, 11		
172-287	3	172-024	5, 7		
172-288	3	172-026	5		
172-289	7	172-028	25		
172-290	7	172-029	25		
172-291	5				

An asterisk (\*) at the end of a part number (XXX-XXX\*) indicates that the part is no longer used in production for this application. Superscript letters (XXX-XXX<sup>A</sup>) refer to footnotes and/or illustration boxes.